

Midget Twist-Lock® Devices
 15A, 125/250V AC, 3 Pole, 3 Wire
 Non-Grounding
 Plug

HUBBELL



15A 125/250V
 NEMA ML-3P

Features

- Abuse resistant nylon housing
- Phenolic body for high heat resistance
- Angled body design for low profile in tight spaces
- Totally insulated body adds extra measure of safety

Ordering Information

Description	Cord Diameter	UPC	Catalog Number
Black angled plug.	.335"-.421" (8.5-10.7)	783585237190	HBL7432

Listings

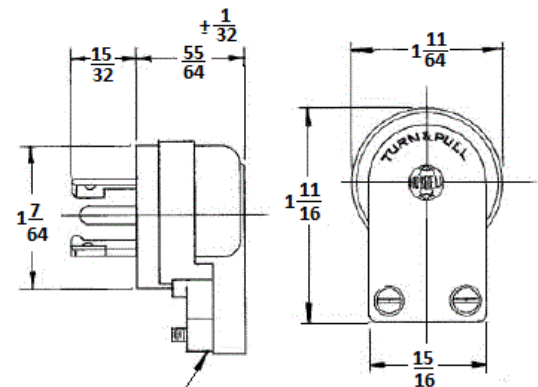
Listed to UL 498
 Certified to CSA C22.2 No.42

Specifications

Housing	Nylon
Blades	Brass
Blade Holder	Phenolic
Terminal Screws	#5-40 Brass
Terminal Clamp	Nylon

Performance

Electrical	
Current Interrupting	Certified for current interrupting at full rated current
Dielectric Voltage	Withstands 2,000V minimum
Mechanical	
Terminal Accomodation	#18 AWG - #14 AWG stranded copper wire only.
Terminal Identification	Terminals identified in accordance with UL 498
Environmental	
Flammability	HB or better per UL94/CSA 22.2 No.0.17
Moisture Resistance	IP20 Suitability
Operating Temperatures	Maximum Continuous 75°C Minimum -40°C (w/o impact)



CORD CLAMPS TAKE CORDS
 FROM 1/4 TO 3/8 DIA.

Accessories

Angled Connector	HBL7433
Nylon Flanged Receptacle	HBL7478N
Stainless Steel Flanged Receptacle	HBL7487
Stainless Steel Flanged Receptacle with Covered Terminals	HBL7489

Resources

Customer Use Drawing
 eCatalog

Dimensions in Inches (mm)

Hubbell Wiring Device-Kellems • Hubbell Incorporated (Delaware) • 40 Waterview Drive • Shelton, CT 06484

Phone (800) 288-6000 • Fax (800) 255-1031 • Specifications subject to change without notice.

