

Non-NEMA Twist-Lock® Devices
 30A, 250V DC Max. and 600V AC Max. 50- 400
 Hz 4 Pole, 5 Wire Grounding
 Variload® Connector

HUBBELL



Features

- Heat resistant thermoset construction
- Non-interchangeable center pin configuration to be designated to different circuits

Ordering Information

Description	Cord Diameter	UPC	Catalog Number
4P5W, 30A 600V AC Max, Non-NEMA, Black Nonmetallic Body	.625"-1.00" (15.9-25.4)	783585236520	HBL45135

Listings

Listed to UL 498
 Certified to CSA C22.2 No.42

Specifications

Housing	Molded Thermoset
Cover	Molded thermoset
Cord Clamp	Zinc Plated Steel
Contacts	Brass
Terminal Screw	Brass
Assembly Screws	Brass

Performance

Electrical

Current Interrupting Certified for current interrupting at full rated current
 Dielectric Voltage Withstands 2,000V minimum

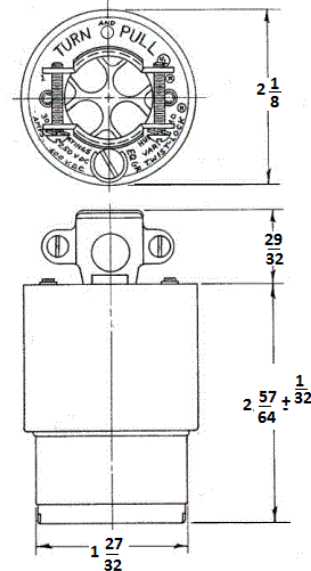
Mechanical

Terminal Accommodation #14 AWG - #10 AWG stranded copper wire only.

Terminal Identification Terminals identified in accordance with UL 498

Environmental

Flammability HB or better per UL 94 or CSA 22.2 No. 0.6
 Operating Temperatures Maximum Continuous 75°C; Minimum -40°C (w/o impact)



Accessories

Plug	HBL45115
Weatherproof Boot	HBL6028

Resources

Customer Use Drawing
 eCatalog

Dimensions in Inches (mm)

Hubbell Wiring Device-Kellems • Hubbell Incorporated (Delaware) • 40 Waterview Drive • Shelton, CT 06484

Phone (800) 288-6000 • Fax (800) 255-1031 • Specifications subject to change without notice.

