

**PLEASE CHECK WWW.MOLEX.COM FOR LATEST PART INFORMATION**

**Part Number:** [08-70-1040](#)  
**Status:** **Active**  
**Overview:** SPOX™ BMI Connector System  
**Description:** 2.50mm Pitch SPOX™ Crimp Terminal, 22-28 AWG, Bag

**Documents:**

[Drawing \(PDF\)](#) [RoHS Certificate of Compliance \(PDF\)](#)  
[Product Specification PS-5264-001 \(PDF\)](#)

**General**

Product Family	Crimp Terminals
Series	5263
Application	Signal
Crimp Quality Equipment	Yes
MolexKits	Yes
Overview	<a href="#">SPOX™ BMI Connector System</a>
Packaging Alternative	<a href="#">08-70-1039 (Reel)</a>
Product Name	SPOX™
UPC	800753534919

**Physical**

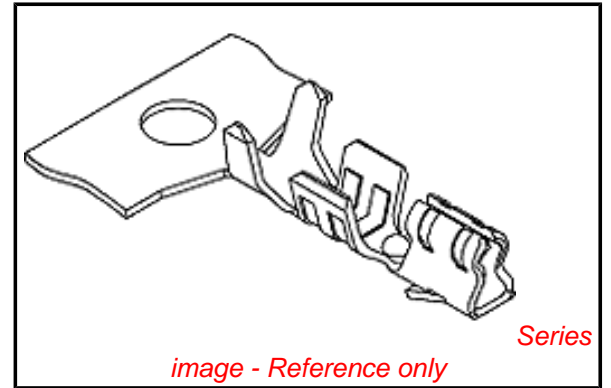
Gender	Female
Material - Metal	Phosphor Bronze
Material - Plating Mating	Tin
Material - Plating Termination	Tin
Net Weight	43.200/mg
Packaging Type	Bag
Plating min - Mating	0.889µm
Plating min - Termination	0.914µm
Termination Interface: Style	Crimp or Compression
Wire Insulation Diameter	1.90mm max.
Wire Size AWG	22, 24, 26, 28
Wire Size mm²	N/A

**Material Info**

Old Part Number 5263PBTL

**Reference - Drawing Numbers**

Product Specification	PS-5264-001, RPS-5263-001, RPS-5264-002, RPS-5264-004, RPS-5264-005
Sales Drawing	SD-5263-003



**EU RoHS**

**ELV and RoHS Compliant**  
**REACH SVHC**  
**Contains SVHC: No**  
**Low-Halogen Status**  
**Low-Halogen**

**China RoHS**



**Need more information on product environmental compliance?**

Email [productcompliance@molex.com](mailto:productcompliance@molex.com)  
 For a multiple part number RoHS Certificate of Compliance, [click here](#)

Please visit the [Contact Us](#) section for any non-product compliance questions.

**Search Parts in this Series**

5263Series

**Use With**

5264

**Application Tooling | FAQ**

*Tooling specifications and manuals are found by selecting the products below. Crimp Height Specifications are then contained in the Application Tooling Specification document.*

**Global**

Description	Product #
Hand Crimp Tool for Crimp Terminals	<a href="#">0638115200</a>
Manual Extraction Tool	<a href="#">0638131400</a>

**Japan**

Description	Product #
Hand Crimp Tool	<a href="#">0011260167</a>
JHTR5974	

This document was generated on 10/02/2014

**PLEASE CHECK [WWW.MOLEX.COM](http://WWW.MOLEX.COM) FOR LATEST PART INFORMATION**