

**PLEASE CHECK WWW.MOLEX.COM FOR LATEST PART INFORMATION**

**Part Number:** [43045-2218](#)  
**Status:** **Active**  
**Overview:** Micro-Fit 3.0™ Connectors  
**Description:** Micro-Fit 3.0™ Header, Surface Mount, Dual Row, Vertical, with Solder Tab, 22 Circuits, Tin (Sn) Plating, Glow Wire Compatible

**Documents:**

|  |  |
|--|--|
| <a href="#">3D Model</a>                             | <a href="#">Test Summary TS-43045-001 (PDF)</a>      |
| <a href="#">Drawing (PDF)</a>                        | <a href="#">RoHS Certificate of Compliance (PDF)</a> |
| <a href="#">Product Specification PS-43045 (PDF)</a> | <a href="#">Product Literature (PDF)</a>             |

**Agency Certification**

|     |           |
|-----|-----------|
| CSA | LR19980   |
| TUV | R72081037 |
| UL  | E29179    |

**General**

|                             |  |
|-----------------------------|--|
| Product Family              | PCB Headers  |
| Series                      | <a href="#">43045</a>  |
| Application                 | Power, Wire-to-Board   |
| Comments                    | "High Temperature Square Pin Solder Type<P><P>This Molex product is manufactured from material that has the following ratings, tested by independent agencies:<br>a) A Glow Wire Ignition Temperature (GWIT) of at least 775 deg C per IEC 60695-2-13.. b) A Glow Wire Flammability Index (GWFI) above 850 deg C per IEC 60695-2-12.and hence complies with the requirements set out in the International Standard IEC 60335-1 5th edition - household and similar electrical appliances - safety, section 30 Resistance to heat and fire. <P><P> The customers using this product must determine its suitability for use in their particular application through testing or other acceptable means as described in end-product glow-wire flammability test standard IEC 60695-2-11 and any applicable product end-use standard(s). <P> If it is determined during the customer's evaluation of suitability, that higher performance is required, please contact Molex for possible product options."<br><a href="#">Micro-Fit 3.0™ Connectors</a> |
| Overview                    | <a href="#">Micro-Fit 3.0™ Connectors</a>  |
| Product Literature Order No | 987650-5984  |
| Product Name                | Micro-Fit 3.0™   |
| UPC                         | 800754376235   |

**Physical**

|                                |         |
|--------------------------------|---------|
| Breakaway                      | No      |
| Circuits (Loaded)              | 22      |
| Circuits (maximum)             | 22      |
| Color - Resin                  | Black   |
| Durability (mating cycles max) | 30      |
| Flammability                   | 94V-0   |
| Glow-Wire Compliant            | Yes     |
| Mated Height                   | 17.27mm |
| Material - Metal               | Brass   |
| Material - Plating Mating      | Tin     |
| Material - Plating Termination | Tin     |

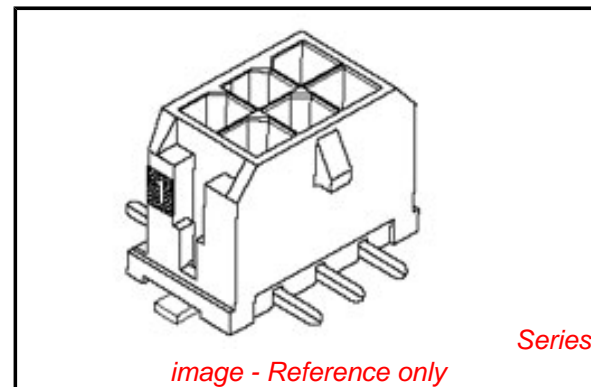



image - Reference only

|   |  |
|---|--|
| <b>EU RoHS</b><br><b>ELV and RoHS</b><br><b>Compliant</b><br><b>REACH SVHC</b><br><b>Contains SVHC: No</b><br><b>Low-Halogen Status</b><br><b>Low-Halogen</b> | <b>China RoHS</b><br> |
|---|--|

**Need more information on product environmental compliance?**

Email [productcompliance@molex.com](mailto:productcompliance@molex.com)  
For a multiple part number RoHS Certificate of Compliance, [click here](#)

Please visit the [Contact Us](#) section for any non-product compliance questions.

**Search Parts in this Series**  
[43045Series](#)

**Mates With**  
[43025 Micro-Fit 3.0™ Receptacle Housing](#)

|                                |                                |
|--------------------------------|--------------------------------|
| Material - Resin               | High Temperature Thermoplastic |
| Net Weight                     | 3.173/g                        |
| Number of Rows                 | 2                              |
| Orientation                    | Vertical                       |
| PCB Locator                    | Yes                            |
| PCB Retention                  | Yes                            |
| PCB Thickness - Recommended    | 1.60mm                         |
| Packaging Type                 | Embossed Tape on Reel          |
| Pitch - Mating Interface       | 3.00mm                         |
| Plating min - Mating           | 0.254µm                        |
| Polarized to PCB               | Yes                            |
| Shrouded                       | Fully                          |
| Stackable                      | No                             |
| Surface Mount Compatible (SMC) | N/A                            |
| Temperature Range - Operating  | -40°C to +105°C                |
| Termination Interface: Style   | Surface Mount                  |

### **Electrical**

|                               |      |
|-------------------------------|------|
| Current - Maximum per Contact | 5A   |
| Voltage - Maximum             | 600V |

### **Solder Process Data**

|  |                           |
|--|---------------------------|
| Duration at Max. Process Temperature (seconds) | 30                        |
| Lead-free Process Capability                   | Reflow Capable (SMT only) |
| Max. Cycles at Max. Process Temperature        | 3                         |
| Process Temperature max. C                     | 260                       |

### **Material Info**

### **Reference - Drawing Numbers**

|                       |  |
|-----------------------|--|
| Product Specification | PS-43045, RPS-43045-003, RPS-43045-004 |
| Sales Drawing         | SD-43045-007                           |
| Test Summary          | TS-43045-001                           |

This document was generated on 10/08/2014

**PLEASE CHECK [WWW.MOLEX.COM](http://WWW.MOLEX.COM) FOR LATEST PART INFORMATION**