

10BASE-T/100BASE-TX Ethernet Extender over VDSL

Point-to-point and plug-and-play—
the simple way to extend
your LAN.



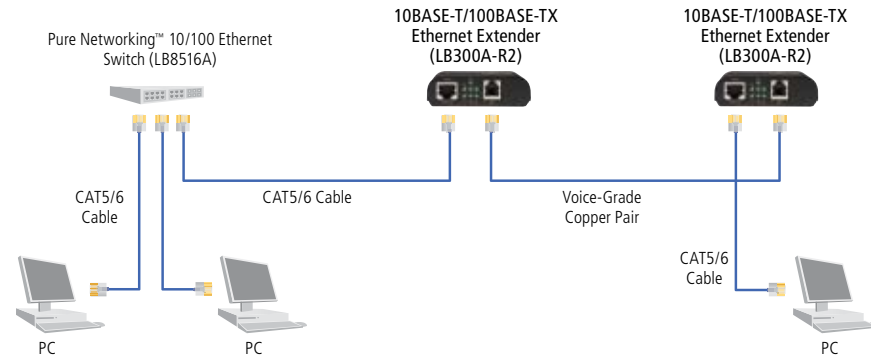
FEATURES

- » Extends 10- or 100-Mbps Ethernet up to 1.2 miles (2 km).
- » Perfect for connecting an isolated user in another building or in another part of a large building.
- » Symmetrical VDSL supports speeds of up to 30 Mbps.
- » Transparent to network protocols.
- » Eight speeds with easy-to-read speed indicator LEDs on top of the extender.
- » Auto MDI/MDI-X on the Ethernet ports.
- » Autosensing for Ethernet speed and duplex.
- » Simple plug-and-play installation.
- » A switch configures the extender for local (CO) or remote (CPE) use.
- » To house multiple extenders at a central point of a network, order the optional 16-Slot Chassis (LB300A-RACK).
- » The 16-Slot Chassis is a 2U-high unit that mounts in a 19" standard rack, and features fans and ventilation holes to keep the extenders cool.
- » Hot swap extenders in and out of the rack without having to power down the entire system!



The 16-Slot Chassis (LB300A-RACK) provides an easy way to rackmount extenders.

Typical Application



Technically Speaking

VDSL.

VDSL (Very High Bit-Rate Digital Subscriber Line or Very High-Speed Digital Subscriber Line) is emerging as a "last-mile" broadband solution for both businesses and homes, providing economical, high-speed connections to fiber optic backbones.

VDSL enables the simultaneous transmission of voice, data, and video on existing voice-grade copper wires, and it's the fastest DSL technology currently available. Depending on the intended applications, you can set VDSL to run symmetrically or asymmetrically. VDSL's high bandwidth allows for applications such as high-definition television, video-on-demand (VOD), high-quality videoconferencing, medical imaging, fast Internet access, and regular voice telephone services—all over a single voice-grade twisted pair. The actual VDSL distances you achieve vary based on line rate, gauge and type of wire, and noise/crosstalk environment.

TECH SPECS

Distance (Maximum) — On 24 AWG wire: 1 Mbps: 1.18 mi. (1.9 km); 3 Mbps: 1.11 mi. (1.8 km); 5 Mbps: 0.99 mi. (1.6 km); 10 Mbps: 0.87 mi. (1.4 km); 15 Mbps: 0.75 mi. (1.2 km); 20 Mbps: 0.62 mi. (1 km); 25 Mbps: 2624.67 ft. (800 m); 30 Mbps: 2296.59 ft. (700 m); 40 Mbps: 1968.5 ft. (600 m); 50 Mbps: 984.25 ft. (300 m)

CE Approval — Yes

Connectors — (1) RJ-11, (1) RJ-45

Indicators — (11) LEDs: (1) Pwr, (1) LAN/ACT, (1) Rmt, (1) Err, (1) Fax, (1) Loc, (1) Lnk, (4) Line Speed

Power — 100–240 VAC, 50–60 Hz, external

Size — LB300A-R3: 0.9"H x 4.3"W x 3.2"D (2.3 x 10.9 x 8.1 cm);

LB300A-RACK: 3.5"H x 17.3"W x 10.9" (8.9 x 43.9 x 27.7 cm);

LB303A: 2"H x 5.3"W x 4.3"D (5.1 x 13.5 x 10.2 cm)

NOTE: Must be used in pairs.

Item	Code
10BASE-T/100BASE-TX Ethernet Extender over VDSL	LB300A-R3
10BASE-T/100BASE-TX Hardened Ethernet Extender over VDSL	LB303A
To rackmount up to 16 extenders in one location, order...	
16-Slot Chassis for the Extender	LB300A-RACK
Hardened Power Supplies for LB303A	
100–240 VAC	PS002A
24 VDC	PSD012