

Dimensions mm[inch]



tolerances acc. to DIN ISO 2768-m
 Toleranzen gem. DIN ISO 2768-m

Terminals

ends tinned
 Enden verzinkt

Cable

round cable LIYY 2x0,14 mm², grau
 colour of wires: white and brown
 Rundkabel LIYY 2x0,14 mm², grau
 Adernfarben: weiss und braun

Nut

polypropylene, white
 Mutter, Polypropylen, weiss

O-ring

nitrile caoutchouc black
 O-ring Nitril Kautschuk schwarz

Stem

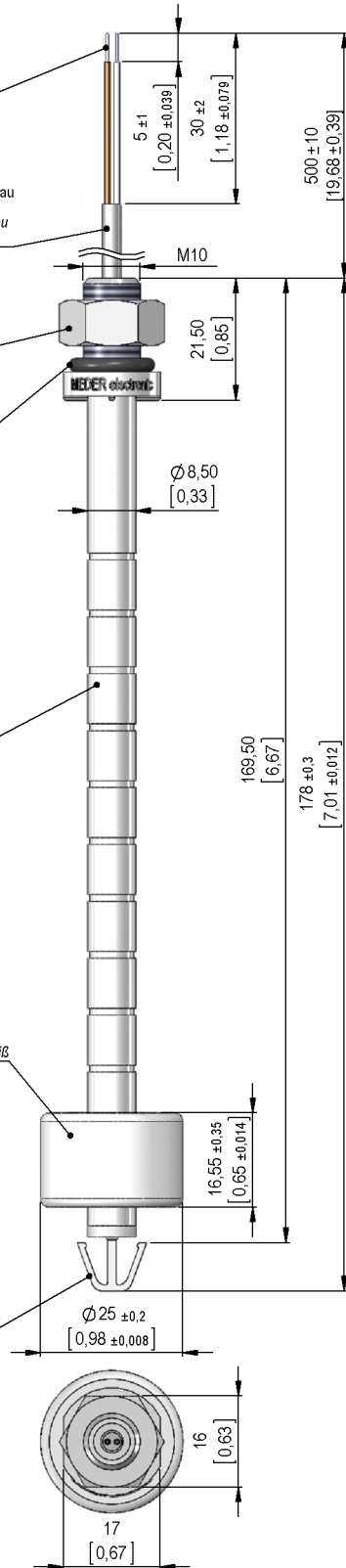
polypropylene white
 Schaft Polypropylen weiss

Float MS02

polypropylene white
 Schwimmer MS02 Polypropylen weiss

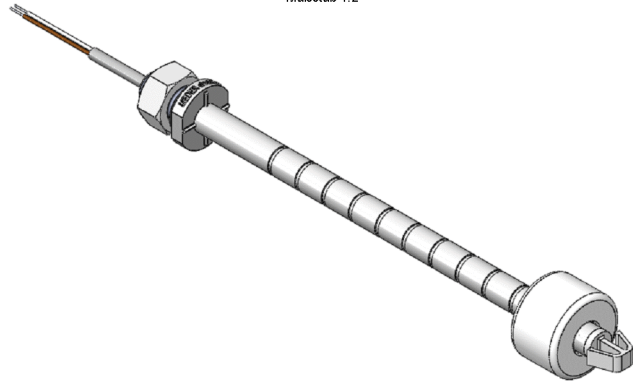
Stopper

polypropylene white
 Stopper Polypropylen weiss



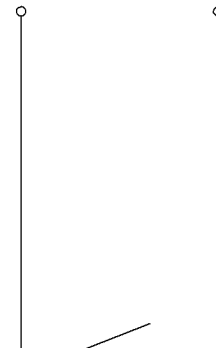
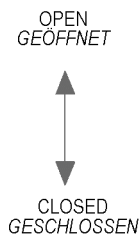
Isometric

Scale 1:2
 Maßstab 1:2



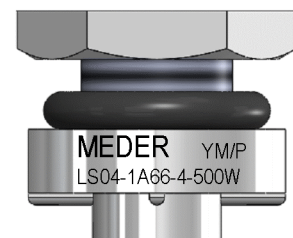
Switching scale

Schematic



Marking

according to EN60062/factory code
 gem. EN60062/Fertigungsstätte





Products for tomorrow...

Europe: +49 / 7731 8399 0 | Email: info@meder.com
USA: +1 / 508 295 0771 | Email: salesusa@meder.com
Asia: +852 / 2955 1682 | Email: salesasia@meder.com

Item No.:
9542664054
Item:
LS04-1A66-4-500W

Special Product Data	Conditions	Min	Typ	Max	Unit
Number of contacts		1			
Contact - form		A - NO			
Contact rating	Any DC combination of V & A not to exceed their individual max.'s			10	W
Switching voltage	DC or Peak AC			180	V
Carry current	DC or Peak AC			1,25	A
Switching current	DC or Peak AC			0,5	A
Sensor-resistance	measured with 40% overdrive			380	mOhm
Housing material LS		PP			
Material of float		PP			
Case colour		white			
Sealing compound		Polyurethan			
Reach / RoHS conformity		yes			

Environmental data	Conditions	Min	Typ	Max	Unit
Shock	1/2 sine, duration 11ms, in 3 axis			50	g
Vibration	from 10 - 2000 Hz			20	g
Operating temperature	cable not moved	-30		70	°C
Operating temperature	cable moved	-5		70	°C
Storage temperature		-30		70	°C

Cable specification	Conditions	Min	Typ	Max	Unit
Cable type		round cable			
Cable material		PVC			
Cross section		0,14 sq-mm			

General data	Conditions	Min	Typ	Max	Unit
Mounting advice		over 5m cable, a resistor is recommended.			

Modifications in the sense of technical progress are reserved

Designed at: 11.07.11 Designed by: WKOVACS
Last Change at: Last Change by:

Approval at: 11.07.11 Approval by: DKUECHLER
Approval at: Approval by:

Version: 01