

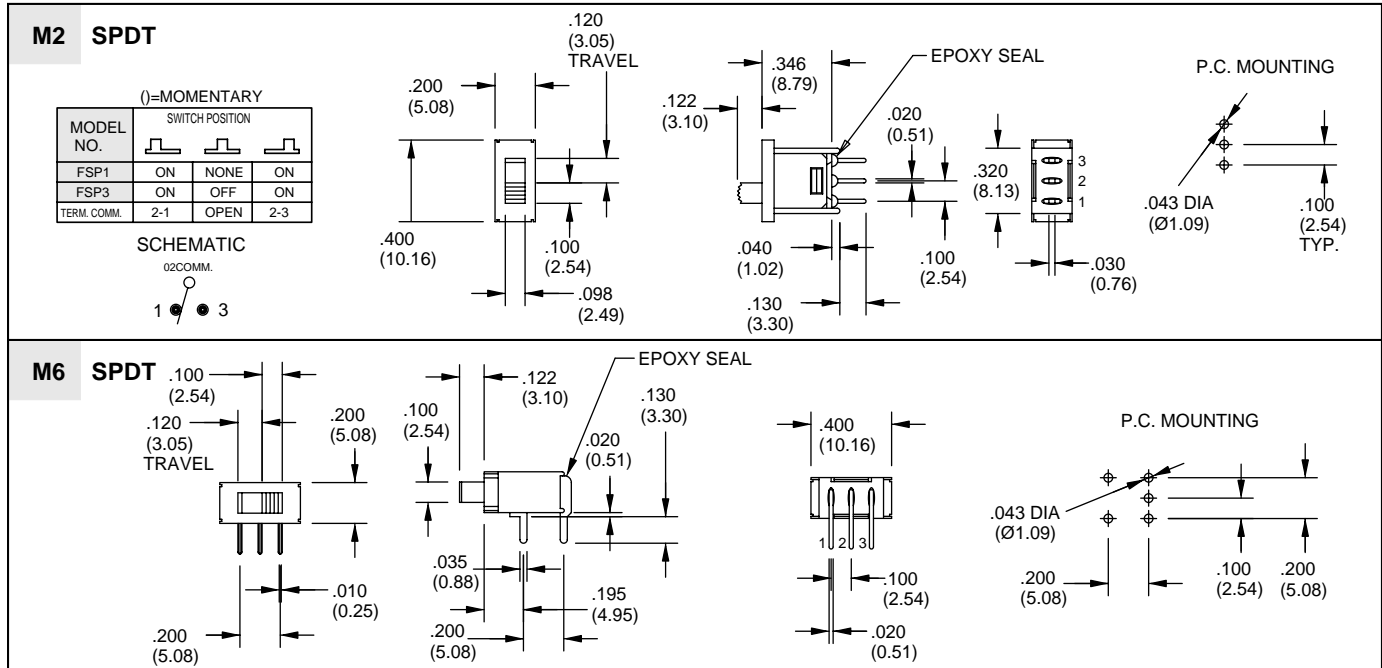
## SERIES 48B Sub-Miniature Slide Switches

### FEATURES

- Save Space and Weight
- SPDT Circuitry
- Choice of Terminations



### MODEL AND TERMINATION OPTIONS In inches (and millimeters)



### SPECIFICATIONS RATINGS

**Contact Rating:** Q option - 3A with resistive load @ 125 VAC or 28 VDC; 1.5A with resistive load @ 250 VAC. R option - 0.4 VA max @ 20 Vmax (AC or DC)

**Electrical Life:** 30,000 make-and-break cycles at full load

**Contact Resistance:** 10 milliohms max. initial @ 2-4 VDC, 100 mA

**Insulation Resistance:** 1,000 megaohms minimum

**Dielectric Resistance:** 1,000 V RMS @ sea level

**Operating Temperature:** -30°C to 85°C

### MATERIALS

**Case:** Diallyl phthalate (DAP) (UL94V-0)

**Housing:** Stainless steel

**Switch Handle:** Nylon

**Terminal Seal:** Epoxy

### ORDERING INFORMATION

SERIES	MODEL NO.	TERMINATION	CONTACT	SEAL
48B	FSP1	M6	R	E
48B = Sub-Miniature Slide Switches	Options: FSP1, FSP3 (see models for switching positions)	Options: M2, M6 (see termination options)	R = Copper alloy, gold plate over nickel plate.  Q = Copper alloy, silver plated.	E = Epoxy seal

**Example Part Number:** 48BFSP1M6RE

Available from your local Grayhill Component Distributor. For prices and discounts, contact a local Sales Office, an authorized local Distributor or Grayhill.