

PLEASE CHECK WWW.MOLEX.COM FOR LATEST PART INFORMATION

Part Number: [73412-0502](#)
Status: **Active**
Overview: RF/Microwave Products
Description: UFL-to-UFL, 0.81mm Cable Diameter, Length 110.00mm, 50 Ohms

Documents:

[Drawing \(PDF\)](#) [RoHS Certificate of Compliance \(PDF\)](#)

General

| | |
|------------------------|---------------------------------------|
| Product Family | Cable Assemblies |
| Series | 73412 |
| Assembly Configuration | Dual Ended Connectors |
| Comments | H18, compatible with Hirose U.fl |
| Connector to Connector | UFL-to-UFL |
| Overview | RF/Microwave Products |
| Product Name | RF, UFL |
| UPC | 822348683109 |

Physical

| | |
|---------------------------|-----------------|
| Cable Length | 110.00mm |
| Circuits (Loaded) | 0 |
| Gender | Plug/Plug |
| Material - Metal | Phosphor Bronze |
| Material - Plating Mating | Gold |
| Net Weight | 0.530/g |
| Packaging Type | Bag |
| Single Ended | No |
| Wire/Cable Type | N/A |

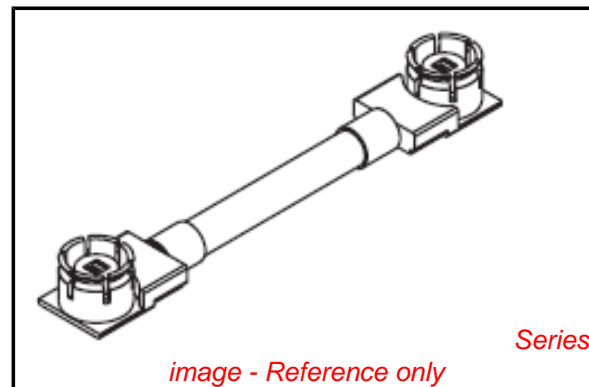
Electrical

| | |
|-----------|-----|
| Impedance | 50# |
|-----------|-----|

Material Info

Reference - Drawing Numbers

| | |
|---------------|----------------------------|
| Sales Drawing | SD-73118-025, SD-73412-050 |
|---------------|----------------------------|



EU RoHS

RoHS Compliant RF Product

REACH SVHC

Contains SVHC: No

Low-Halogen Status

Low-Halogen

China RoHS



Need more information on product environmental compliance?

Email productcompliance@molex.com
 For a multiple part number RoHS Certificate of Compliance, [click here](#)

Please visit the [Contact Us](#) section for any non-product compliance questions.

Search Parts in this Series

[73412Series](#)