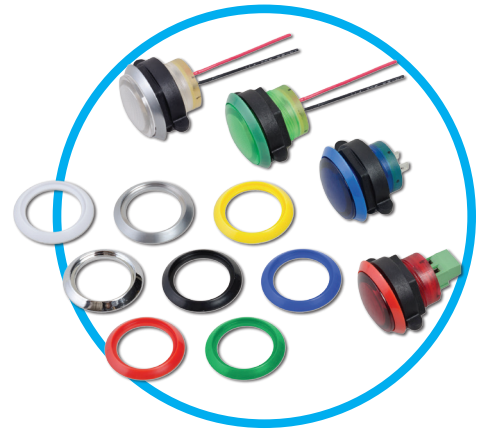




# CNX 722FV Series 22mm Ruggedized LED FlexVolt™ Panel Mount Indicator



CNX 722FV Series with built-in LED FlexVolt™ technology offers fast, easy installation in harsh environments

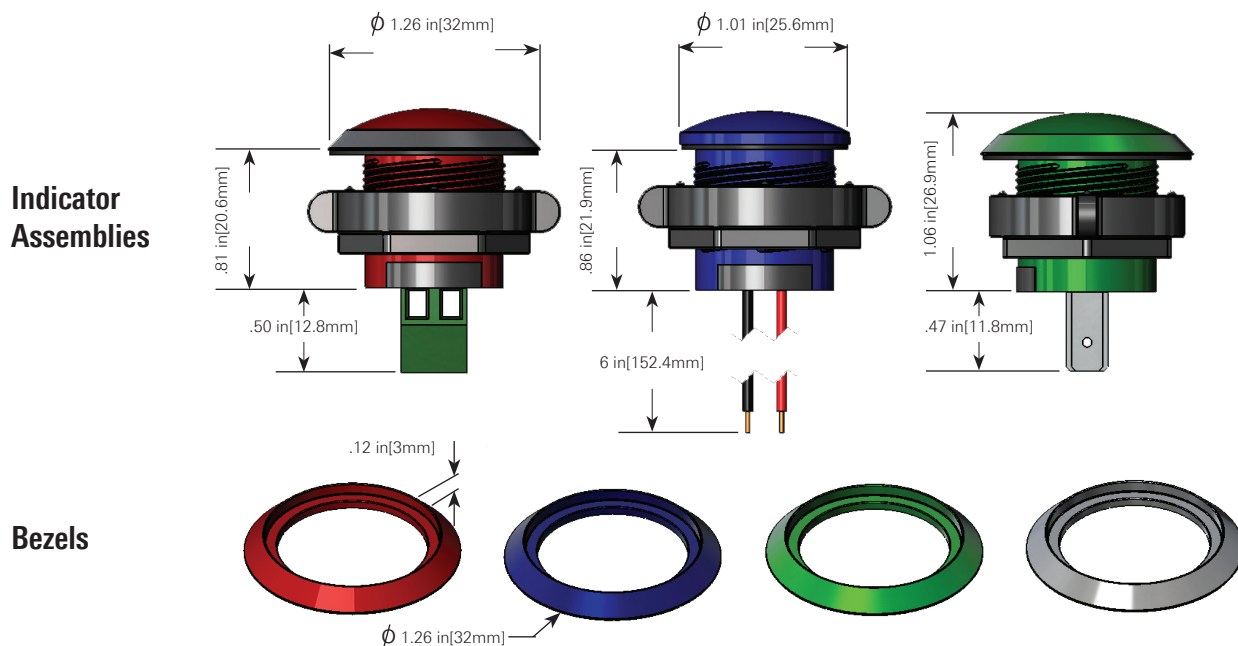
## Applications

- control cabinets
- instrument panels
- disinfection and sterilization environments
- transportation dashboards
- switch stations
- safety applications
- outdoor signage
- aircraft and military
- industrial machinery
- vending and gaming machines

## Key features

- designed for extreme harsh and outdoor environments
- variety of connection options for fast, easy installation
- built-in LED can be used with 5 to 28 volt DC circuits
- fast pitch threads ease assembly, requiring only 1 turn
- special nut assembles by finger, or with 1" hex tool
- direct sunlight visibility
- wide viewing angle
- resistant to shock and vibration
- custom LEDs and lens colors available
- optional bezel available in many colors
- moisture sealed, IP67/NEMA 6P rated
- RoHS compliant

## Product dimensions



## Product specifications

| LED output  |                    |
|-------------|--------------------|
| LED color** | typ intensity, mcd |
| red         | 1300-1900          |
| green       | 700-1400           |
| white       | 1300-1700          |
| blue        | 200-280            |
| yellow      | 80-200             |

| Materials      |                            |
|----------------|----------------------------|
| body           | polycarbonate, UL 94-V2    |
| retaining nut  | PBT/glass filled, UL 94-V0 |
| wire           | 22 AWG 1007/1569           |
| moisture seal  | EPDM                       |
| bezel- plastic | ABS, UL 94-HB              |
| bezel- metal   | aluminum alloy             |

| Installation specification |                          |
|----------------------------|--------------------------|
| mounting hole              | .855-.910" (21.7-23.1mm) |
| panel thickness            | Up to .300" (7.6mm)      |

| Operating parameters  |                               |
|-----------------------|-------------------------------|
| operating temperature | -40°F (-40°C) to 176°F (80°C) |
| current               | 20mA                          |

## Ordering data

CNX 722FV 22mm indicator  
ordering code (example)

CNX 722 C X00 FV X

| Body Type |          |
|-----------|----------|
| X=        | material |
| C         | colored* |

\*Body color to match  
LED color

| LED Color |        |
|-----------|--------|
| X00=      | color  |
| 200       | red    |
| 400       | yellow |
| 500       | green  |
| 600       | blue   |
| 900       | white  |

| Termination Style |                                |
|-------------------|--------------------------------|
| X=                | termination style              |
| B                 | screw block                    |
| T                 | quick disconnect/<br>terminals |
| W                 | wire leads                     |

\*Optional bezel: BZL 722-X

Bezel size = 22mm

\*Sold Separately

| Bezel Color |                  |
|-------------|------------------|
| X=          | color            |
| 0           | black            |
| 2           | red              |
| 4           | yellow           |
| 5           | green            |
| 6           | blue             |
| 9           | white            |
| A           | actual aluminum  |
| B           | brushed aluminum |
| C           | chrome           |