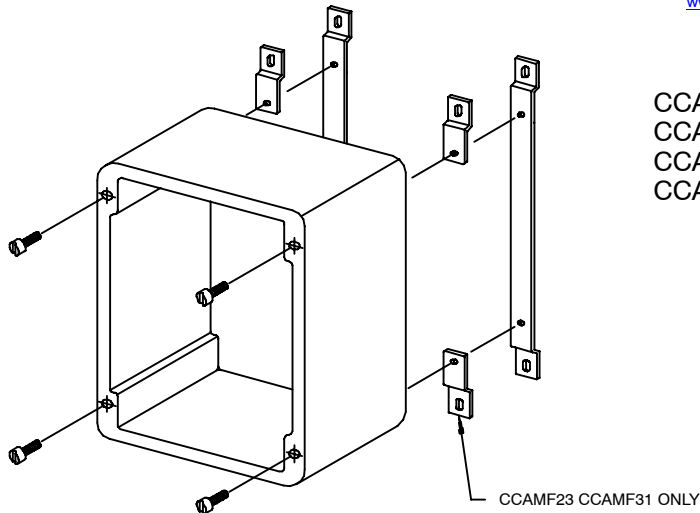


COMPACT<sup>®</sup>  
Mounting Feet  
Montagefüße  
Pattes de Fixation Murale  
Patas de Montaje



A Pentair Company  
**Hoffman Enclosures Inc.**  
2100 Hoffman Way  
Anoka, MN 55303-1745  
(763) 422-2211  
[www.hoffmanonline.com](http://www.hoffmanonline.com)



CCAMF12  
CCAMF16  
CCAMF23  
CCAMF31