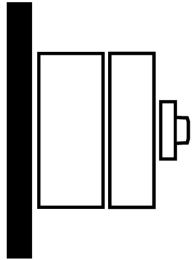
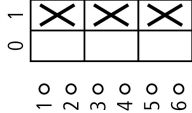




**Part no.**  
**Article no.**

**DMM-125/3/I5/P-G**  
**172850**

### Delivery programme

Product range			Main switch maintenance switch Repair switch
Part group reference			DMM
<b>Notes</b>			with grey knob in CI-K5 enclosure
Main circuits			3
Poles			
Auxiliary contacts			auxiliary contact fitted by user
		N/O	0
		N/C	0
Locking facility			1 padlock, $\varnothing$ 5 mm
Degree of Protection			IP65
Design			surface mounting
			
Contact sequence			
Motor rating AC-23A, 50 - 60 Hz			
400 V	P	kW	59
Rated uninterrupted current	$I_u$	A	125

### General

Standards			IEC/EN 60947, VDE 0660, IEC/EN 60204, Switch-disconnector according to IEC/EN 60947-3
Certifications			CE, RoHs, KEMA, GOST-R, Lloyds
Ambient temperature		°C	
Operation	$\theta$	°C	-25 - +60
Storage	$\theta$	°C	-40 - +80
Overvoltage category/pollution degree			III/3
Rated impulse withstand voltage	$U_{imp}$	V AC	6000
Rated insulation voltage	$U_i$	V AC	1000
Mounting position			As required
Protection against direct contact when actuated from front (EN 50274)			Finger and back-of-hand proof

## Contacts

<b>Mechanical variables</b>			
Main circuits Poles			3
Auxiliary contacts			
		N/O	0
		N/C	0
<b>Electrical characteristics</b>			
Rated operational voltage	$U_e$	V AC	690
Rated uninterrupted current	$I_u$	A	125
Note on rated uninterrupted current $I_u$			Rated uninterrupted current $I_u$ is specified for max. cross-section.
<b>Short-circuit rating</b>			
fuse			125
Rated conditional short-circuit current	$I_q$	kA	415 V: 30 690 V: 50
Breaking current		kA	13.7
max. let-through energy		$kA^2s$	134
Rated short-time withstand current (1 s current)	$I_{cw}$	$A_{rms}$	2500
Note on rated short-time withstand current $I_{cw}$			Current for a time of 1 second

## Switching capacity

<b>Rated breaking capacity <math>\cos \varphi</math> to IEC 60947-3</b>			
400/415 V		A	
		A	1000
500 V		A	528
690 V		A	336
<b>Safe isolation to EN 61140</b>			
Current heat loss per contact at $I_e$		W	4.5
Lifespan, mechanical	Operations		10000
<b>AC</b>			
<b>AC-21A</b>			
Rated operational current switch			
400 V 415 V	$I_e$	A	125
500 V	$I_e$	A	125
690 V	$I_e$	A	125
<b>AC-22A</b>			
Rated operational current switch			
400 V 415 V	$I_e$	A	125
500 V	$I_e$	A	125
690 V	$I_e$	A	125
<b>AC-23A</b>			
Rated operational current switch			
400 V 415 V	$I_e$	A	125
500 V	$I_e$	A	66
690 V	$I_e$	A	42
Motor rating AC-23A, 50 - 60 Hz			
400 V 415 V	P	kW	59
500 V	P	kW	45
690 V	P	kW	37

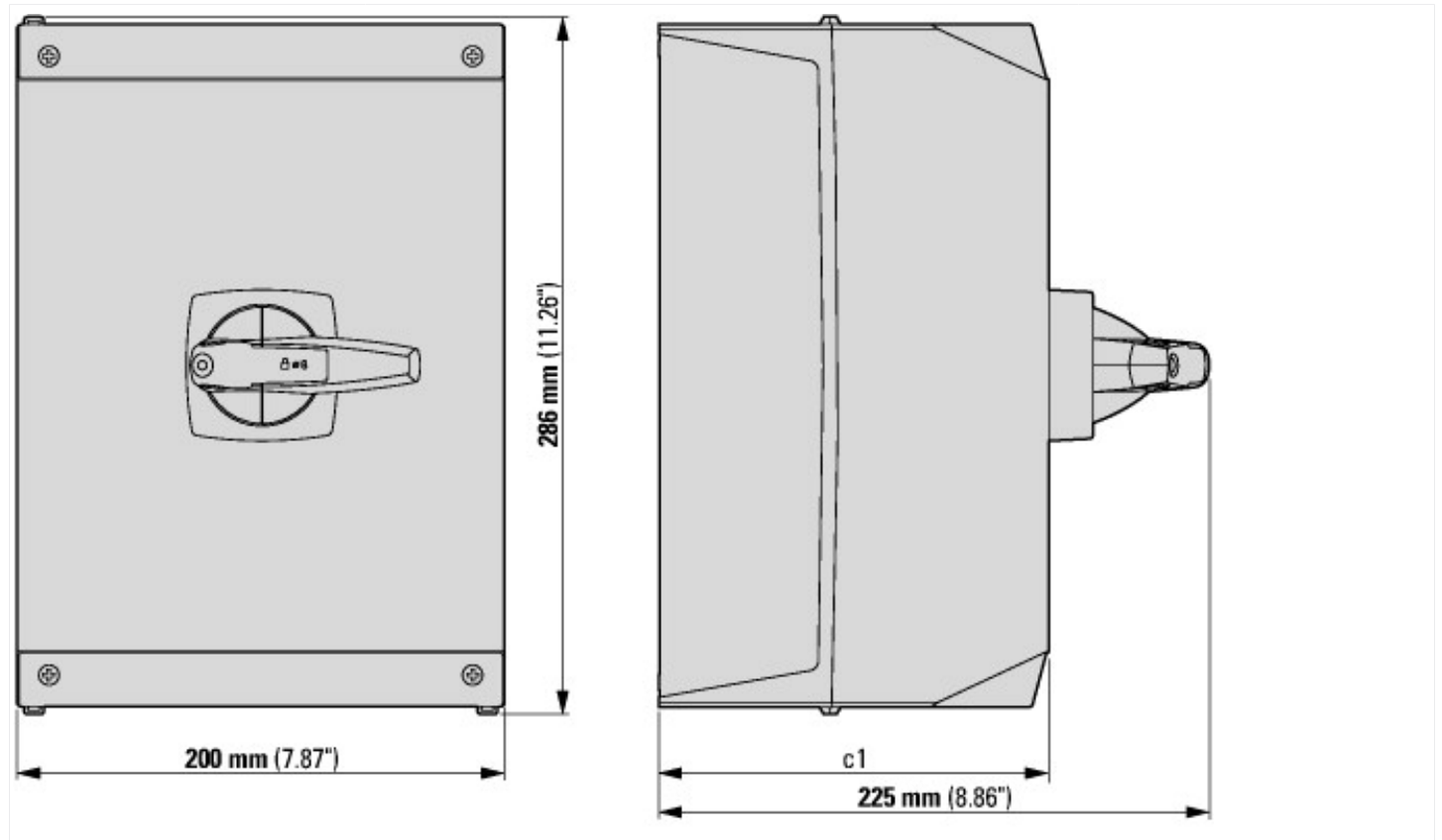
## Terminal capacities

<b>Flexible with ferrules to DIN 46228</b>			
flexible		$mm^2$	6 - 70
Max. tightening torque		Nm	3.8

## Technical safety parameters:

<b>Notes</b>			B10 <sub>d</sub> values as per EN ISO 13849-1, table C1
--------------	--	--	---

## Dimensions



## Additional product information (links)

### IL008006Z Switch-disconnectors

IL008006Z Switch-disconnectors	<a href="ftp://ftp.moeller.net/DOCUMENTATION/AWA_INSTRUCTIONS/IL008006ZU2014_02.pdf">ftp://ftp.moeller.net/DOCUMENTATION/AWA_INSTRUCTIONS/IL008006ZU2014_02.pdf</a>
Technical overview cam switch, switch-disconnector	<a href="http://de.ecat.moeller.net/flip-cat/?edition=HPLTEv1&amp;startpage=4.2">http://de.ecat.moeller.net/flip-cat/?edition=HPLTEv1&amp;startpage=4.2</a>
System overview cam switch T	<a href="http://de.ecat.moeller.net/flip-cat/?edition=HPLTEv1&amp;startpage=4.4">http://de.ecat.moeller.net/flip-cat/?edition=HPLTEv1&amp;startpage=4.4</a>
System overview switch-disconnector P	<a href="http://de.ecat.moeller.net/flip-cat/?edition=HPLTEv1&amp;startpage=4.6">http://de.ecat.moeller.net/flip-cat/?edition=HPLTEv1&amp;startpage=4.6</a>
Key to part numbers Cam switch	<a href="http://de.ecat.moeller.net/flip-cat/?edition=HPLTEv1&amp;startpage=4.8">http://de.ecat.moeller.net/flip-cat/?edition=HPLTEv1&amp;startpage=4.8</a>
Key to part numbers Switch-disconnector	<a href="http://de.ecat.moeller.net/flip-cat/?edition=HPLTEv1&amp;startpage=4.8">http://de.ecat.moeller.net/flip-cat/?edition=HPLTEv1&amp;startpage=4.8</a>
Switches for ATEX Zone 22	<a href="http://www.coopercrouse-hinds.eu/en/products/10-ex-safety-and-main-current-switches.html">http://www.coopercrouse-hinds.eu/en/products/10-ex-safety-and-main-current-switches.html</a>