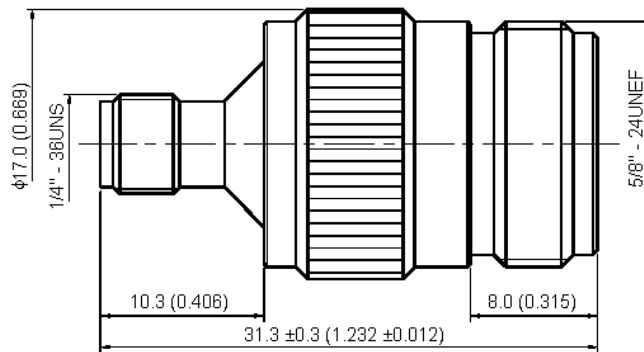


Adaptor SMA Jack-N Jack



Specifications:

Connector Type	: Inter Series Coaxial
Convert From Connector	: SMA Coaxial
Convert From Gender	: Plug
Convert To Connector	: N Coaxial
Convert To Gender	: Plug
Body Diameter	: 15.5mm
External Length / Height	: 28.2mm
Impedance	: 50Ω
Frequency	: DC-11GHz
Bodies	: Brass per JIS-C3604
Centre Contact	: Beryllium Copper per ASTM B196 UNS C17300
Insulation	: PTFE per ASTM D1457 and ASTM D1710
Connector interface per MIL-STD-348A	
Part to be clean and free of burrs	



Dimensions : Millimetres (Inches)

Description	Material	Finish
Body I	Brass	Nickel 100μ" Min.
Insulation	PTFE	None
Centre Contact	Beryllium Copper	Gold
Body II	Brass	Nickel 100μ" Min.

Part Number Table

Description	Part Number
Adaptor, SMA Jack-N Jack	19-35-2 TGN

Important Notice : This data sheet and its contents (the "Information") belong to the members of the Premier Farnell group of companies (the "Group") or are licensed to it. No licence is granted for the use of it other than for information purposes in connection with the products to which it relates. No licence of any intellectual property rights is granted. The Information is subject to change without notice and replaces all data sheets previously supplied. The Information supplied is believed to be accurate but the Group assumes no responsibility for its accuracy or completeness, any error in or omission from it or for any use made of it. Users of this data sheet should check for themselves the Information and the suitability of the products for their purpose and not make any assumptions based on information included or omitted. Liability for loss or damage resulting from any reliance on the Information or use of it (including liability resulting from negligence or where the Group was aware of the possibility of such loss or damage arising) is excluded. This will not operate to limit or restrict the Group's liability for death or personal injury resulting from its negligence. Multicomp is the registered trademark of the Group. © Premier Farnell plc 2012.