

APPLICABLE STANDARD		TIA/EIA-568-B.2 CATEGORY5e				
RATING	OPERATING TEMPERATURE RANGE	- 40 °C TO 60 °C		STORAGE TEMPERATURE RANGE	- 25 °C TO 60 °C	
	VOLTAGE	125 V AC		CURRENT	1 A	
<b>SPECIFICATIONS</b>						
ITEM	TEST METHOD			REQUIREMENTS	QT	AT
<b>CONSTRUCTION</b>						
GENERAL EXAMINATION	VISUALLY AND BY MEASURING INSTRUMENT.			ACCORDING TO DRAWING.	X	X
MARKING	CONFIRMED VISUALLY.				X	X
<b>ELECTRIC CHARACTERISTICS</b>						
CONTACT RESISTANCE	100 mA (DC OR 1000 Hz AC). MEASUREMENT POINTS SHALL BE AS FOLLOWS.			230 mΩ MAX.	X	X
<p>(ONE EXAMPLE OF CONNECTOR CONFIGURATION IS SHOWN.)</p>						
INSULATION RESISTANCE	100 V DC.			100 MΩ MIN.	X	X
VOLTAGE PROOF	500 V AC FOR 1 min.			NO FLASHOVER OR BREAKDOWN.	X	X
NEAR END CROSSTALK(NEXT)LOSS	MEASURED MINIMUM NEXT LOSS FOR EACH PAIR COMBINATION AT 100 Hz.			43 dB MIN.	X	-
<b>MECHANICAL CHARACTERISTICS</b>						
MECHANICAL OPERATION	750 TIMES INSERTIONS AND EXTRACTIONS.			1) CONTACT RESISTANCE: 250 mΩ MAX. 2) NO DAMAGE, CRACK AND LOOSENESS, OF PARTS.	X	-
VIBRATION	FREQUENCY 10 TO 55 Hz SINGLE AMPLITUDE 0.75 mm, - m/s <sup>2</sup> AT 2 h, FOR 3 DIRECTIONS.			1) NO ELECTRICAL DISCONTINUITY OF 5μs. 2) CONTACT RESISTANCE: 250 mΩ MAX. 3) NO DAMAGE, CRACK AND LOOSENESS, OF PARTS.	X	-
SHOCK	490 m/s <sup>2</sup> DIRECTIONS OF PULSE 11 ms AT 3 TIMES FOR 3 DIRECTIONS.				X	-
<b>ENVIRONMENTAL CHARACTERISTICS</b>						
DAMP HEAT (STEADY STATE)	EXPOSED AT 40 °C, 90 TO 95 %, 500 h.			1) CONTACT RESISTANCE: 250 mΩ MAX. 2) INSULATION RESISTANCE: 1 MΩ MIN. (AT HIGH HUMIDITY) 3) INSULATION RESISTANCE: 10 MΩ MIN. (AT DRY) 4) NO DAMAGE, CRACK AND LOOSENESS OF PARTS.	X	-
RAPID CHANGE OF TEMPERATURE	TEMPERATURE -55±3 → 5 TO 35 → 85±2 → 5 TO 35 °C TIME 30 TO 35 → 5 MAX → 30 TO 35 → 5 MAX min. UNDER 5 CYCLES.			1) CONTACT RESISTANCE: 250 mΩ MAX. 2) INSULATION RESISTANCE: 100 MΩ MIN. 3) NO DAMAGE, CRACK AND LOOSENESS OF PARTS.	X	-
CORROSION SALT MIST	EXPOSED IN 5 % SALT WATER SPRAY FOR 48 h.			1) CONTACT RESISTANCE: 250 mΩ MAX. 2) NO HEAVY CORROSION.	X	-
	COUNT	DESCRIPTION OF REVISIONS	DESIGNED	CHECKED	DATE	
	0					
REMARK				APPROVED	HO.MIWA	06.06.29
				CHECKED	YH.ENAMI	06.06.29
				DESIGNED	TU.TANIGUCHI	06.06.28
				DRAWN	YK.SATO	06.06.27
Unless otherwise specified, refer to JIS C 5402.						
Note QT:Qualification Test AT:Assurance Test X:Applicable Test			DRAWING NO.	ELC4-124144-02		
<b>HRS</b>	SPECIFICATION SHEET		PART NO.	TM21P-TM-88P (60)		
	HIROSE ELECTRIC CO., LTD.		CODE NO.	CL222-2919-4-60		1/1

COUNT	DESCRIPTION OF REVISIONS	BY	CHKD	DATE	COUNT	DESCRIPTION OF REVISIONS	BY	CHKD	DATE
1	DIS-E-000934	Y.S	Y.E	06.09.01					

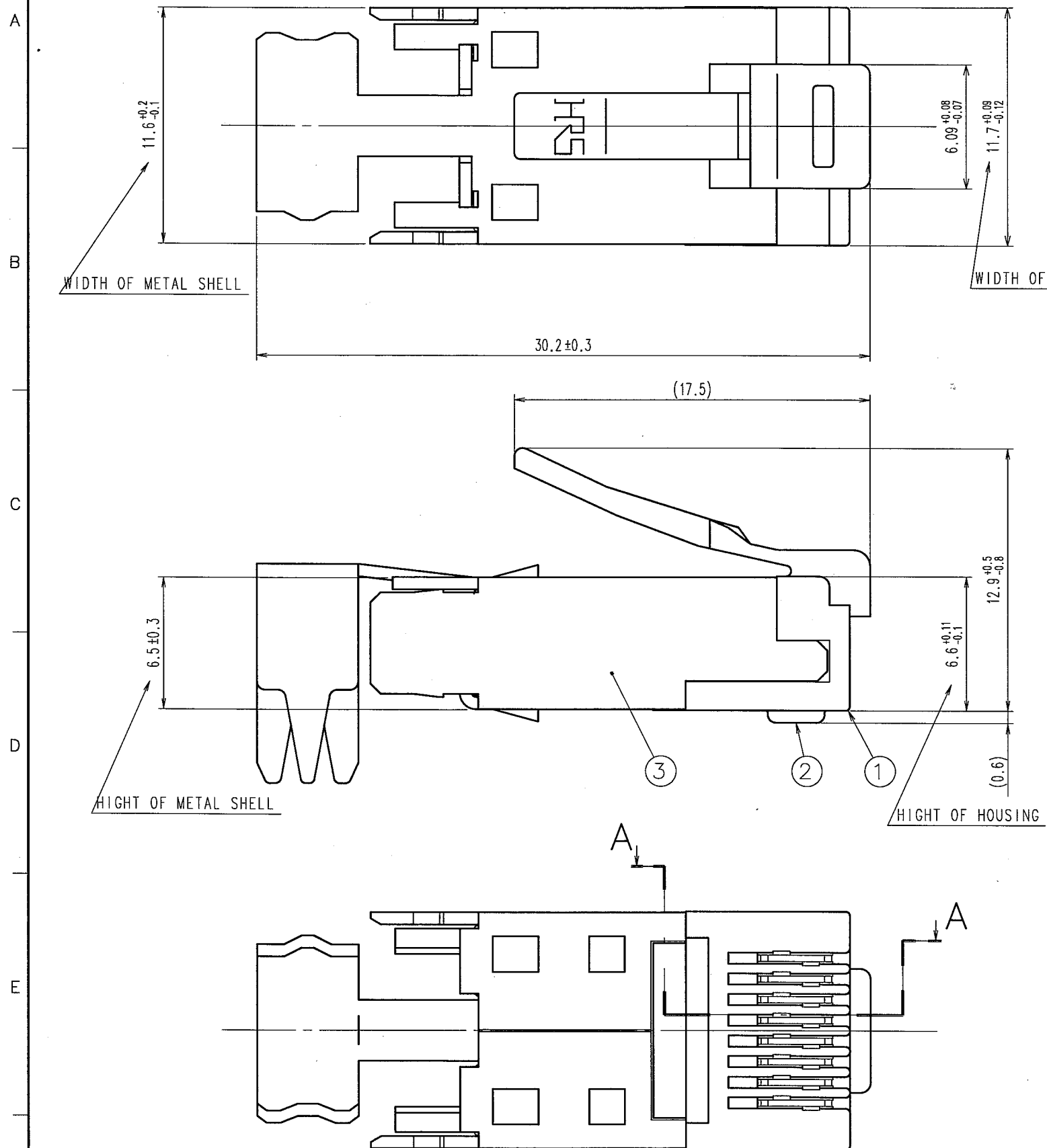
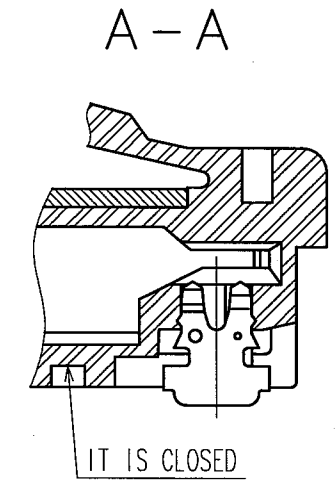
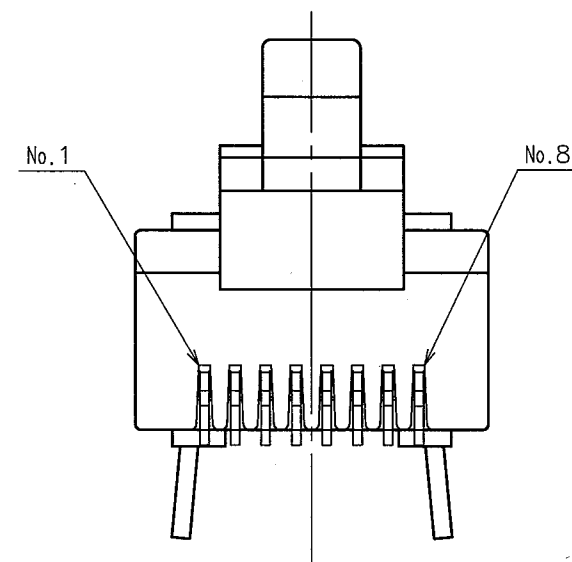


TABLE-1

APPLICABLE CABLE WIRE	
CONDUCTOR	φ 0.5mm SOLID WIRE
	AWG#24 (7/0.2) STRANDED WIRE
INSULATOR DIAMETER	AWG#25 (7/0.18) STRANDED WIRE
	(φ 0.9~1.0)
JAKET DIAMETER	(φ 6.6) *1



- NOTES
- 1 THE DIMENSIONS IN PARENTHESIS ARE FOR REFERENCE
  - 2 APPLICABLE CABLE IS SHOWN IN TABLE-1
  - \* 1 : THE OUTER DIAMETER OF THE VINYL JAKET VARIES SLIGHTLY DEPENDING ON THE HARDNESS: 6.6DIA. IS FOR REFERENCE.
  - 3 TO SATISFY CAT5e PERFORMANCE, PLEASE ASSEMBLE ACCORDING TO HRS INSTRUCTION.

NO.	MATERIAL	FINISH, REMARKS	NO.	MATERIAL	FINISH, REMARKS
2	PHOSPHOR BRONZE	GOLD PLATING 1.27μ m	3	BRASS	TIN PLATING
1	POLYCARBONATE	(CLEAR RED) UL94V-2			

CODE NO. (OLD)	DRAWN	DESIGNED	CHECKED	APPROVED	RELEASED
	Y.SATO	T.TANIGUCHI	Y.ENAMI	H.MIWA	
	05.09.21	05.10.03	05.10.07	05.10.13	

DRAWING NO.	PART NO.
EDC3-124144-02	TM21P-TM-88P(60)
SCALE 4 : 1	CODE NO.
UNITS mm	CL222-2919-4-60

△ 4 THIS PRODUCT SATISFIES CAT6 REQUIREMENTS FOR BASIC LINK CONFIGURATION. (THE CONNECTOR BY ITSELF IS NOT CAT6 COMPLIANT.)  
 APPLICABLE RECEPTACLE:  
 TM21R-3C-88(\*\*) }  
 TM21R-5C-88(\*\*) }  
 TM21R-5C-88-LP(\*\*)

TO
Q