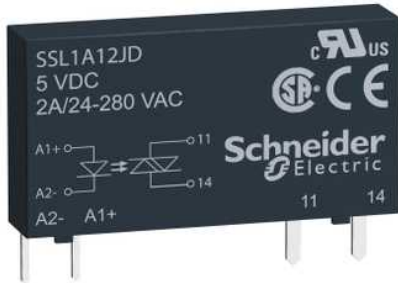


# SSL1A12JD

solid state relay, Plug-in, input 3-12 V DC, output 24-280 V AC, 2A



## Main

Commercial Status	Commercialised
Range of product	Zelio Relay
Product or component type	Solid state relay
Device short name	SSL
Network number of phases	1 phase

## Complementary

Mounting support	Socket
[In] rated current	2 A
Output voltage	24...280 V AC
Control circuit voltage	3...12 V DC
Contacts type and composition	1 NO
Capacitance unbalance	<= 1.5 pF input/output
Switching voltage	<= 1 V DC turn-off >= 3 V DC turn-on
Input current limits	15 mA
Input impedance	333 kOhm
Solid state output type	Zero voltage switching SCR output
Load current	0.07...2 A
Absolute maximum voltage	600 V
Surge current	<= 115 A for 20 ms <= 120 A for 16.6 ms
Voltage drop	<= 1.1 V on-state
Maximum I <sup>2</sup> t for fusing	260 A <sup>2</sup> .s for 8.3 ms at 60 Hz half cycle 285 A <sup>2</sup> .s for 10 ms at 50 Hz half cycle
Leakage current	<= 4 mA off-state
DV/Dt	500 V/μs off-state at maximum voltage
Response time	0.5 cycle turn-off 0.5 cycle turn-on
Overvoltage category	III
Width	5 mm
Height	28 mm
Depth	15 mm
Product weight	0.0041 kg


## Environment

Flame retardance	V0 conforming to UL 94
Dielectric strength	2500 V for input/output
Pollution degree	2
Standards	IEC 61000 IEC 60950-1 IEC 62314
Product certifications	CSA RoHS UL REACH
Marking	CE
IP degree of protection	IP67
Ambient air temperature for operation	-20...80 °C
Ambient air temperature for storage	-20...85 °C

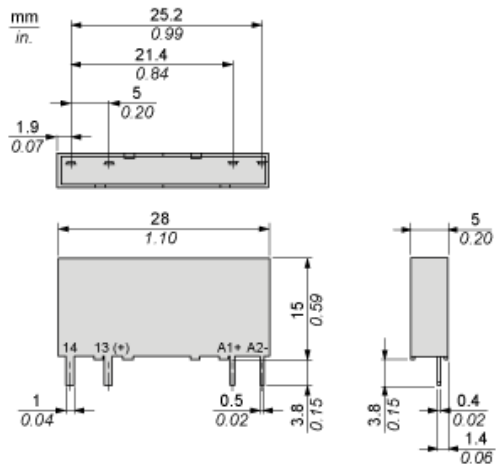
## Ordering and shipping details

Category	22375 - INTERFACE MODULE(ABA,R,S)
Discount Schedule	CP2
GTIN	00785901968245
Nbr. of units in pkg.	12
Package weight(Lbs)	0.01
Returnability	Y
Country of origin	MX

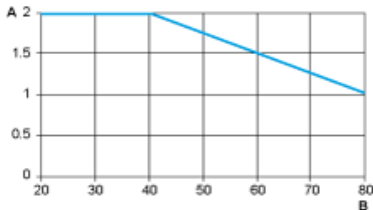
## Offer Sustainability

Sustainable offer status	Green Premium product
REACH	Reference not containing SVHC above the threshold
Product environmental profile	Available  <a href="#">Download Product Environmental</a>
Product end of life instructions	Need no specific recycling operations

Dimensions



Derating Curves



A : Load Current (Amperes)  
B : Ambient Temperature (°C)