

Main

Commercial Status	Commercialised
Range of product	Zelio Relay
Product or component type	Solid state relay
Device short name	SSL
Network number of phases	1 phase

Complementary

Mounting support	Socket
[In] rated current	2 A
Output voltage	24...280 V AC
Control circuit voltage	90...140 V DC 190...250 V DC 90...140 V AC 38...72 V DC 190...250 V AC
Contacts type and composition	1 NO
Capacitance unbalance	<= 1.5 pF input/output
Switching voltage	<= 28 V DC turn-off >= 38 V DC turn-on
Input current limits	4 mA
Input impedance	20 kOhm
Solid state output type	Zero voltage switching SCR output
Load current	0.07...2 A
Absolute maximum voltage	600 V
Surge current	<= 115 A for 20 ms <= 120 A for 16.6 ms
Voltage drop	<= 1.1 V on-state
Maximum I ² t for fusing	260 A ² .s for 8.3 ms at 60 Hz half cycle 285 A ² .s for 10 ms at 50 Hz half cycle
Leakage current	<= 4 mA off-state
DV/Dt	500 V/μs off-state at maximum voltage
Response time	0.5 cycle turn-off 0.5 cycle turn-on
Overvoltage category	III
Width	5 mm
Height	28 mm

Depth	15 mm
Product weight	0.0041 kg


Environment

Flame retardance	V0 conforming to UL 94
Dielectric strength	2500 V for input/output
Pollution degree	2
Standards	IEC 61000 IEC 60950-1 IEC 62314
Product certifications	CSA RoHS UL REACH
Marking	CE
IP degree of protection	IP67
Ambient air temperature for operation	-20...80 °C
Ambient air temperature for storage	-20...85 °C

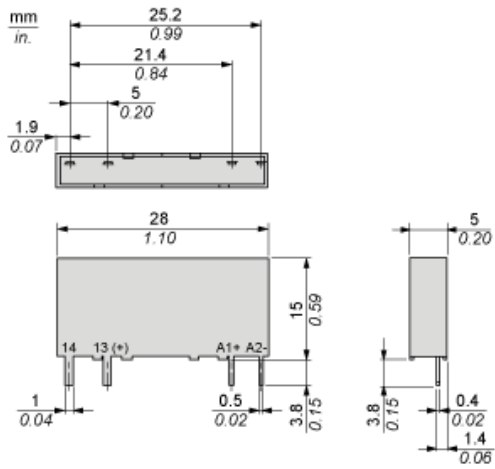
Ordering and shipping details

Category	22375 - INTERFACE MODULE(ABA,R,S)
Discount Schedule	CP2
GTIN	00785901968276
Nbr. of units in pkg.	12
Package weight(Lbs)	0.01
Returnability	Y
Country of origin	MX

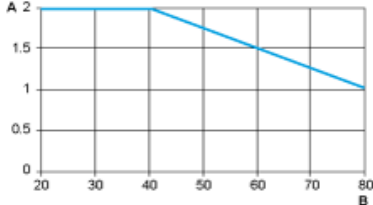
Offer Sustainability

Sustainable offer status	Green Premium product
REACH	Reference not containing SVHC above the threshold
Product environmental profile	Available  Download Product Environmental
Product end of life instructions	Need no specific recycling operations

Dimensions



Derating Curves



A : Load Current (Amperes)
B : Ambient Temperature (°C)