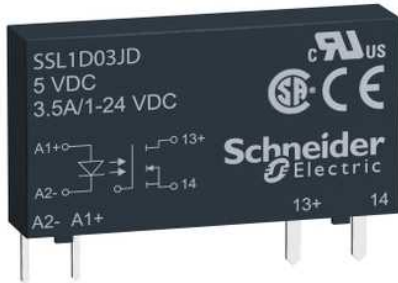


Product data sheet

Characteristics

SSL1D03JD

solid state relay, Plug-in, input 3-12 V DC, output 1-24 V DC, 3.5A



Main

Commercial Status	Commercialised
Range of product	Zelio Relay
Product or component type	Solid state relay
Device short name	SSL
Network number of phases	1 phase

Complementary

Mounting support	Socket
[In] rated current	3.5 A
Output voltage	1...24 V DC
Control circuit voltage	3...12 V DC
Contacts type and composition	1 NO
Capacitance unbalance	<= 1.5 pF input/output
Switching voltage	<= 1 V DC turn-off >= 3 V DC turn-on
Input current limits	10 mA
Input impedance	500 Ohm
Solid state output type	Mosfet output DC switching
Load current	0.001...3.5 A
Absolute maximum voltage	30 V
Maximum operating frequency	500 Hz
Surge current	<= 9 A for 10 ms
Voltage drop	<= 0.5 V on-state
Leakage current	<= 0.001 mA off-state
Response time	0.1 ms turn-off 0.12 ms turn-on
Overtoltage category	III
Width	5 mm
Height	28 mm
Depth	15 mm
Product weight	0.0041 kg

The information provided in this documentation contains general descriptions and/or technical characteristics of the performance of the products contained herein. This documentation is not intended as a substitute for and is not to be used for determining suitability or reliability of these products for specific user applications. It is the duty of any such user or integrator to perform the appropriate and complete risk analysis, evaluation and testing of the products with respect to the relevant specific application or use thereof. Neither Schneider Electric Industries SAS nor any of its affiliates or subsidiaries shall be responsible or liable for misuse of the information contained herein. *Prices are indicative


Environment

Flame retardance	V0 conforming to UL 94
Dielectric strength	2500 V for input/output
Pollution degree	2
Standards	IEC 61000 IEC 60950-1 IEC 62314
Product certifications	CSA RoHS UL REACH
Marking	CE
IP degree of protection	IP67
Ambient air temperature for operation	-20...80 °C
Ambient air temperature for storage	-20...85 °C

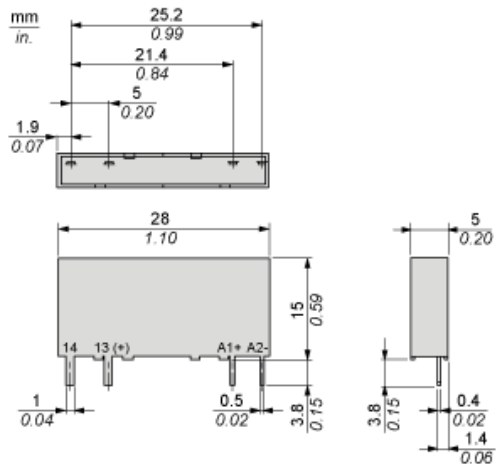
Ordering and shipping details

Category	22375 - INTERFACE MODULE(ABA,R,S)
Discount Schedule	CP2
GTIN	00785901968283
Nbr. of units in pkg.	12
Package weight(Lbs)	0.01
Returnability	Y
Country of origin	MX

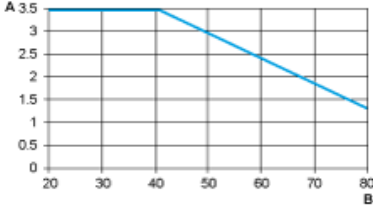
Offer Sustainability

Sustainable offer status	Green Premium product
REACH	Reference not containing SVHC above the threshold
Product environmental profile	Available  Download Product Environmental
Product end of life instructions	Need no specific recycling operations

Dimensions



Derating Curves



A : Load Current (Amperes)
B : Ambient Temperature (°C)