

SSRPCDS10A1

solid state relay - panel mounting - input 3-32 V DC, output 24-280 V AC, 10A

Stock Code: Stock - Normally stocked in distribution facility



Main

Commercial Status	Commercialised
Range of product	Zelio Relay
Product or component type	Solid state relay
Device short name	SSR
Network number of phases	1 phase
Mounting support	Panel
[In] rated current	10 A
Output voltage	24...280 V AC
Control circuit voltage	3...32 V DC

Complementary

Contacts type and composition	1 NO
Tightening torque	<= 2.2 N.m for output <= 1.1 N.m for input
Local signalling	LED green for input status
Switching voltage	3 V DC turn-on 1 V DC turn-off
Input current limits	10 mA
Solid state output type	Zero voltage switching SCR output
Load current	0.15...10 A
Output sustained overvoltage	600 V
Surge current	120 A for 16.6 ms
Voltage drop	1.6 V on-state
Thermal resistance	1.48 °C/W
Maximum I ² t for fusing	60 A ² .s for 8.3 ms
Leakage current	<= 1 mA off-state
DV/Dt	500 V/μs off-state at maximum voltage
Response time	0.5 cycle turn-off 0.5 cycle turn-on

Environment

Standards	UL E258297 CSA LR 40487 IEC 60950-1 IEC 62314
Marking	CE
IP degree of protection	IP20
Ambient air temperature for operation	-40...80 °C
Ambient air temperature for storage	-40...125 °C

The information provided in this documentation contains general descriptions and/or technical characteristics of the products contained herein. This documentation is not intended as a substitute for and is not to be used for determining suitability or reliability of these products for specific user applications. It is the duty of any such user or integrator to perform the appropriate and complete risk analysis, evaluation and testing of the products with respect to the relevant specific application or use thereof. Neither Schneider Electric Industries SAS nor any of its affiliates or subsidiaries shall be responsible or liable for misuse of the information contained herein. *Prices are indicative

Ordering and shipping details

Category	22375 - INTERFACE MODULE(ABA,R,S)
Discount Schedule	CP2
GTIN	00785901592198
Nbr. of units in pkg.	1
Package weight(Lbs)	0.27
Stock Code	Stock - Normally stocked in distribution facility
Returnability	Y
Country of origin	MX

Offer Sustainability

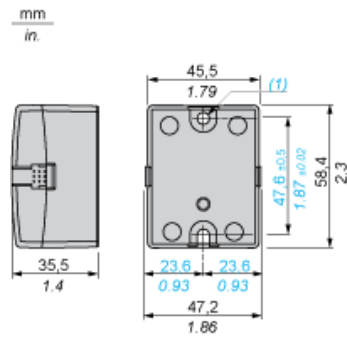
Sustainable offer status	Not Green Premium product
RoHS (date code: YYWW)	Compliant - since 0940 - Schneider Electric declaration of conformity

Contractual warranty

Period	18 months
--------	-----------

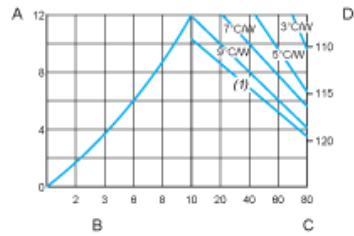
Dimensions

Panel Mounting



Thermal Derating Curves

10 A Relays



- A: Power dissipation
- B: Load current (Arms)
- C: Max. ambient temperature (°C)
- D: Base plate temperature (°C)
- (1) No heat sink

Note : These are typical curves, actual durability depends on load, environment, duty cycle, etc.