

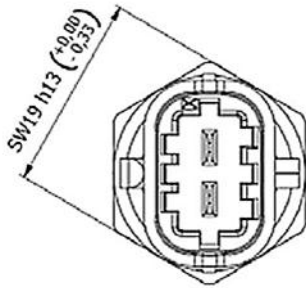
Sensing and Control

Temperature sensor 94085

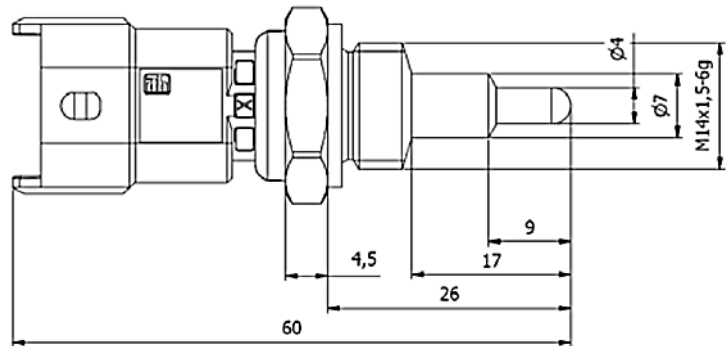
NTC Sensor, thermally decoupled



Connector



Dimensions



Media	Liquid media e.g. water, oil	Connector	Bosch Compact (D 928 002 69A)
Nominal resistance	2,055 Ω (25 °C), 186,5 Ω (100 °C) *	Sealing ring	Al-Dichtring unverlierbar Al-seal, captive
Temperature range	- 40 °C to + 150 °C	Protection range	IP 6K9K
Time of response	T63 \leq 3s (water)	Order number	9408500900
Thread	M14 x 1.5		

* Other resistance values on request

General Note

TT Electronics reserves the right to make changes in product specifications without notice or liability. All information is subject to TT Electronics' own data and is considered accurate at time of going to print.