

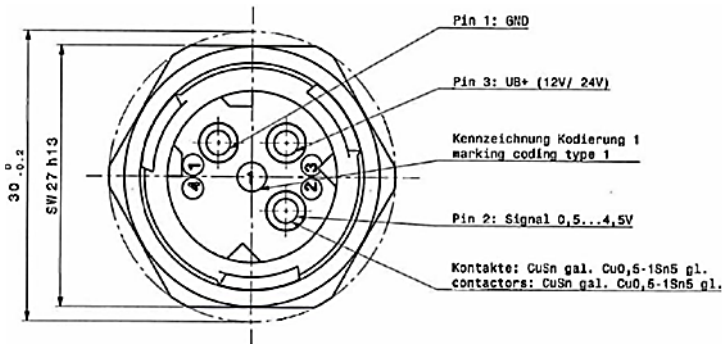
# Sensing and Control

## Temperature sensor 94125

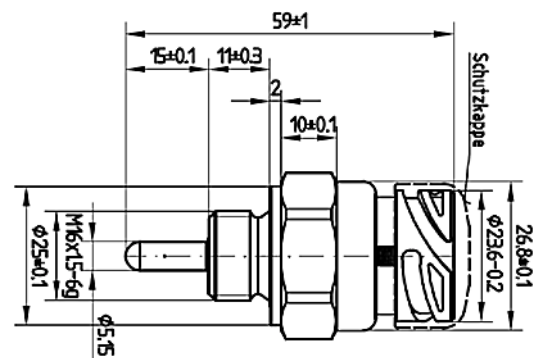
NTC Sensor / PT-1000 Sensor



### Connector



### Dimensions



<b>Media</b>	Liquid media e.g. water, oil, fuel	<b>Thread</b>	M16 x 1.5
<b>Output voltage</b>	0.5 V to 4.5 V *	<b>Connector</b>	DIN Bajonett (DIN 72585)
<b>Supply voltage</b>	9 V to 32 V	<b>Protection range</b>	IP 6K9K
<b>Temperature range</b>	- 40 °C to + 140 °C	<b>Order number</b>	9412500900
<b>Time of response</b>	T90 < 15 in water (20 to 80 °C)		

\* Programmable

#### General Note

TT Electronics reserves the right to make changes in product specifications without notice or liability. All information is subject to TT Electronics' own data and is considered accurate at time of going to print.