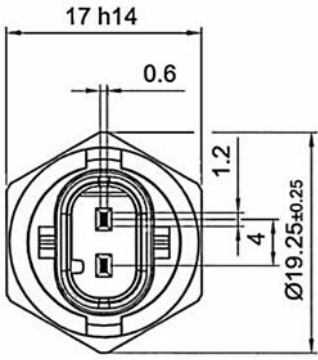
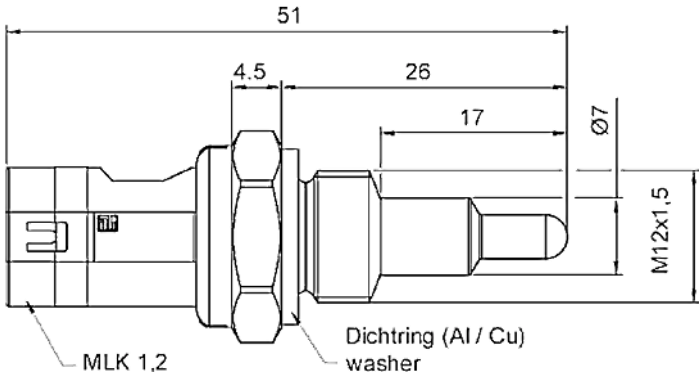




Connector		Dimensions	
			
Media	Liquid media e.g. water, oil	Connector	MLK 1.2
Nominal resistance	2,251 Ω (25 °C) *	Sealing ring	Al / Cu
Temperature range	- 40 °C to +155 °C	Protection range	IP 6K9K
Time of response	T90 ≤ 10 s (water)	Order number	9408200900
Thread	M12 x 1.5	Order number with mating plug	9408200910

* Other resistance values on request

General Note

TT Electronics reserves the right to make changes in product specifications without notice or liability. All information is subject to TT Electronics' own data and is considered accurate at time of going to print.