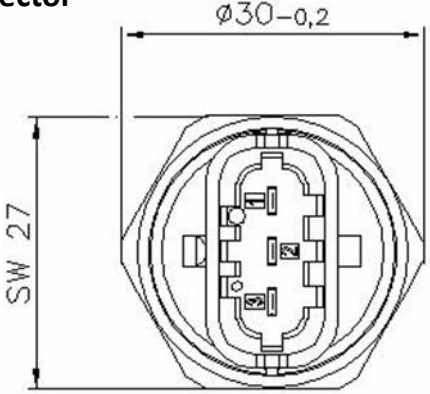
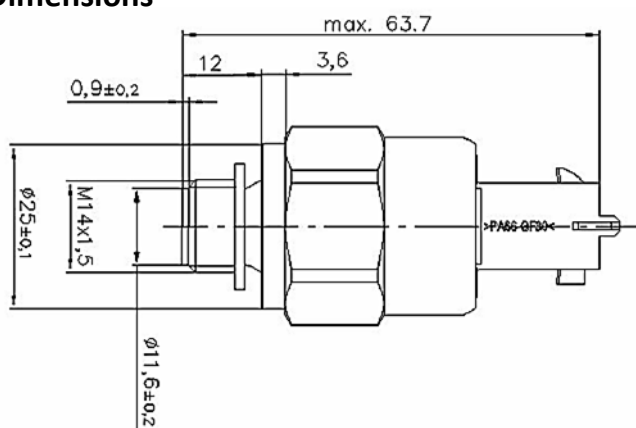




Connector 		Dimensions 	
Media	Liquid media e.g. fuel, engine oil air and exhaust	Pressure range	E.g. 0 ... 10 bar, relative *
Temperature range	- 40 °C to + 125 °C	Output signal	0.5 ... 4.5 V ratiometric
Thread	M14 x 1.5 or M18 x 1.5	Connector	Bosch Compact
Protection range	IP 6K9K		

* Other types and values on request

General Note

TT Electronics reserves the right to make changes in product specifications without notice or liability. All information is subject to TT Electronics' own data and is considered accurate at time of going to print.