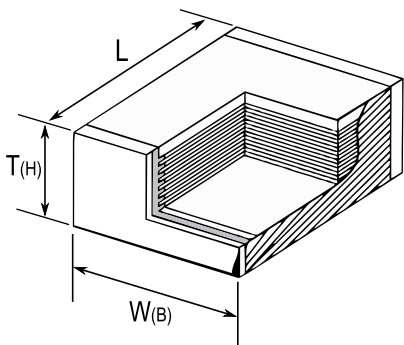


KEMET Part Number: LDBAB2820JC5N0
(DBAB2820JC5N0)

Capacitor, film, 0.082 uF, +/-5% Tol, General Purpose, 16 VDC@125C



Note: '()' correspond to the letters used in the product bulletin

Dimensions (mm)		
Symbol	Dimension	Tolerance
L	3.30	+0.3/-0.1
W	2.50	+/-0.3
T	1.70	MAX

Packaging Specifications	
Package Kind:	T&R
Package Size:	180mm
Package Quantity:	2250

General Information	
Supplier:	KEMET
Dielectric:	Metallized PPS (Stacked)
Application:	General Purpose
Style:	Surface Mount
Chip Size:	1210 (3225 metric)
RoHS:	Yes

Specifications	
Capacitance:	0.082 uF
Voltage:	16 VDC
Tolerance:	+/-5%
Rated Temperature:	125C
Temperature Range:	-55/+125C
Dissipation Factor @ 1 kHz:	0.6%
Insulation Resistance:	3 GOhm