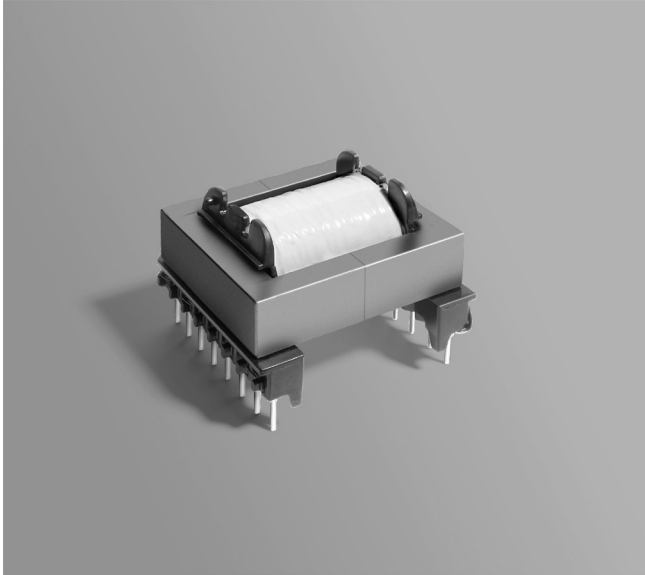




# Flyback Transformer

For ON Semiconductor  
NCP1606 PFC Controller



- Designed for 90 Watt applications
- Operates in discontinuous conduction mode with an input of 85 – 265 Vac, 1.28 Arms maximum
- 3000 Vrms isolation from primary and auxiliary to secondary

**Core material** Ferrite

**Terminations** RoHS compliant tin-silver over tin over copper. Other terminations available at additional cost.

**Weight** 68 g

**Ambient temperature** -40°C to +125°C

**Storage temperature** Component: -40°C to +125°C  
Tray packaging: -40°C to +80°C

**Moisture Sensitivity Level (MSL)** 1 (unlimited floor life at <30°C / 85% relative humidity)

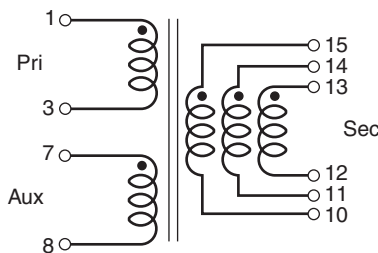
**Failures in Time (FIT) / Mean Time Between Failures (MTBF)**  
38 per billion hours / 26,315,789 hours, calculated per Telcordia SR-332

**Packaging** 30 parts per tray

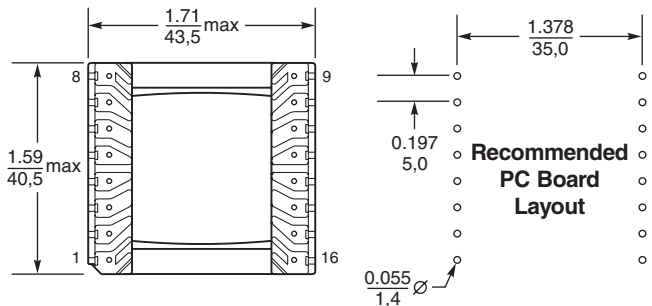
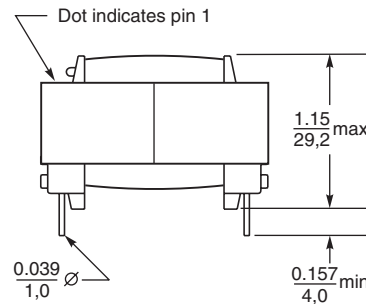
**PCB washing** Tested with pure water or alcohol only. For other solvents, see Doc787\_PCB\_Washing.pdf

Part number	Inductance at 0 A <sup>1</sup> ±10% (µH)	Inductance at I <sub>pk</sub> <sup>2</sup> (µH)	DCR max (Ohms) <sup>3</sup>			Leakage inductance max (µH)	Turns ratio <sup>4</sup>		I <sub>pk</sub> <sup>2</sup> (A)	Output <sup>5</sup>
			pri	aux	sec		pri : aux	pri : sec		
GA3366-BL	300	270	0.210	0.073	0.0053	7.45	1:0.118	1:0.147	3.1	19.5 V, 4.62 A

1. Inductance measured at 100 kHz, 1.1 Vrms, 0 Adc using an Agilent/ HP 4263B impedance analyzer or equivalent.
  2. Peak primary current drawn at minimum input voltage.
  3. DCR for the secondary is with the windings connected in parallel.
  4. Turns ratio is with the secondary windings connected in parallel.
  5. Output of the auxiliary winding is 16 V, 20 mA.
  6. Electrical specifications at 25°C.
- Refer to Doc 362 "Soldering Surface Mount Components" before soldering.



Secondary windings to be connected in parallel on the PC board



Dimensions are in  $\frac{\text{inches}}{\text{mm}}$



www.coilcraft.com

**US** +1-847-639-6400 sales@coilcraft.com  
**UK** +44-1236-730595 sales@coilcraft-europe.com  
**Taiwan** +886-2-2264 3646 sales@coilcraft.com.tw  
**China** +86-21-6218 8074 sales@coilcraft.com.cn  
**Singapore** + 65-6484 8412 sales@coilcraft.com.sg

Document 656 Revised 02/25/13

© Coilcraft Inc. 2013  
 This product may not be used in medical or high risk applications without prior Coilcraft approval. Specification subject to change without notice. Please check web site for latest information.