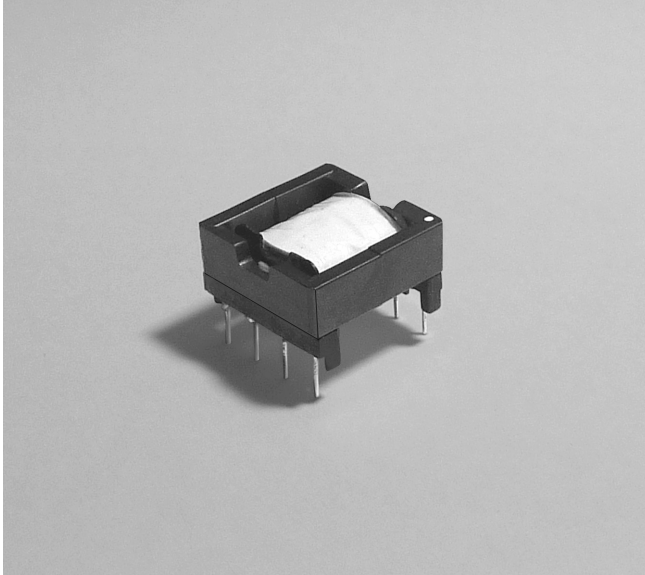




Flyback Transformer

For Texas Instruments UCC28600
Flyback Green Mode Controller



- Triple-output flyback transformer
- Designed to operate at 50 kHz with universal ac input
- 3000 Vrms, one minute isolation from primary and bias to secondaries

Core material Ferrite

Terminations RoHS compliant tin-silver over tin over copper over steel. Other terminations available at additional cost.

Weight 9.7 g

Ambient temperature -40°C to +85°C

Storage temperature Component: -40°C to +85°C.
Tray packaging: -40°C to +80°C

Moisture Sensitivity Level (MSL) 1 (unlimited floor life at <30°C / 85% relative humidity)

Failures in Time (FIT) / Mean Time Between Failures (MTBF)

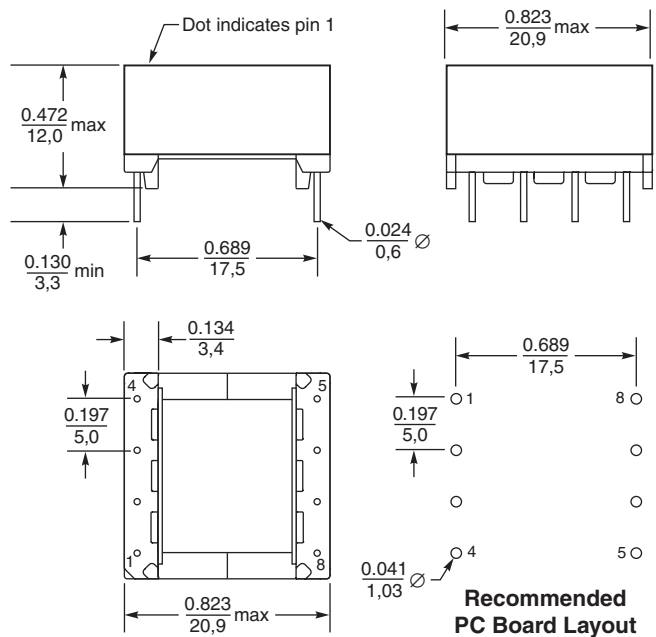
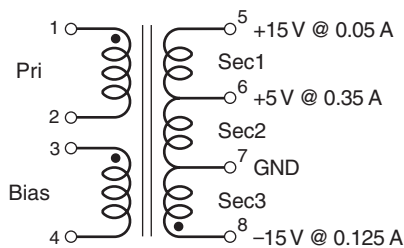
38 per billion hours / 26,315,789 hours, calculated per Telcordia SR-332

Packaging 100 per tray

PCB washing Only pure water or alcohol recommended

Part number	L at 0 A ¹ ±10% (mH)	L at Ipk ² min (mH)	DCR max (Ohms)	Leakage L ³ max (µH)	Turns ratios	Ipk ² (A)	Outputs
HA4018-AL	2.2	1.7	1.55 (pri) 0.350 (bias) 0.061 (sec 1) 0.305 (sec 2) 0.450 (sec 3)	28.5	6.4 : 1 (pri : bias) 8.2 : 1 (pri : sec 1) 15 : 1 (pri : sec 2) 5.3 : 1 (pri : sec 3)	0.3	+15 V, 0.05 A (sec 1) +5 V, 0.35 A (sec 2) -15 V, 0.125 A (sec 3) +12 V, 20 mA (bias)

1. Inductance is for the primary, measured at 50 kHz, 0.1 Vrms, 0 Adc.
2. Ipk is peak primary current drawn at minimum input voltage.
3. Leakage inductance is for the primary winding, measured at 50 kHz, 0.1 Vrms, 0 A with all secondary pins shorted.
4. Electrical specifications at 25°C.



Dimensions are in $\frac{\text{inches}}{\text{mm}}$



www.coilcraft.com

US +1-847-639-6400 sales@coilcraft.com
UK +44-1236-730595 sales@coilcraft-europe.com
Taiwan +886-2-2264 3646 sales@coilcraft.com.tw
China +86-21-6218 8074 sales@coilcraft.com.cn
Singapore + 65-6484 8412 sales@coilcraft.com.sg

Document 724 Revised 09/29/09

© Coilcraft Inc. 2013

This product may not be used in medical or high risk applications without prior Coilcraft approval. Specification subject to change without notice. Please check web site for latest information.