

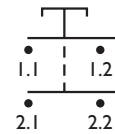
RMASK Series | Double-pole switch 16A quick connection 4.8 black body black bellow

PRODUCT CODE: RMASK122C1N00000

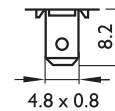


sample image

Wiring diagrams



Terminal type



Body colour

Actuator colour

Rating

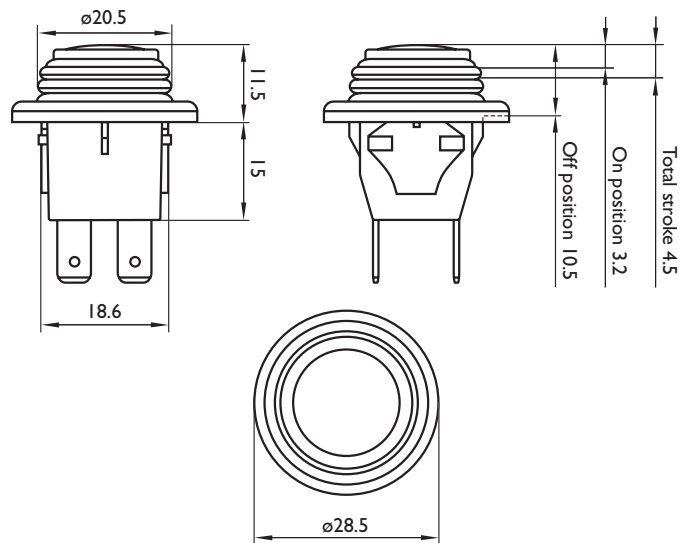
16 (6) A / 250 VAC
12 (10) A / 250 VAC
8 (8) A / 250 VAC - 5E4
T125 / 55 °C

16 A / 125 VAC
 16 A / 250 VAC
 1 / 2 HP - 125 VAC
 3 / 4 HP - 250 VAC
 T65 °C (T100 °C on demand)

Approvals



Dimensions (mm)



Cut out (mm)

