



WIP2VDV

2MP IP IR Dome Camera

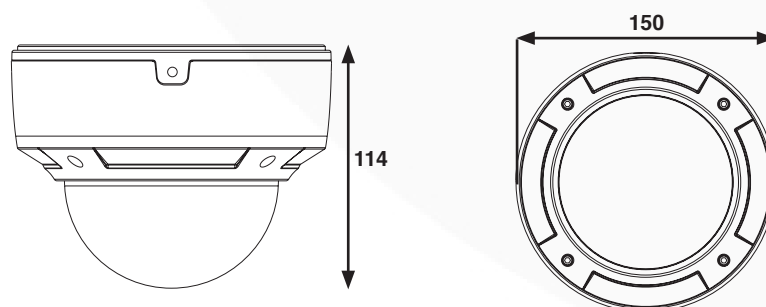


WIP2VDV

Key Features

- 1080P Full Real-Time Coding
- MIC / Line in G.711A / U Audio Codec
- RTSP Streaming with or without Authentication
- Mirror & Flip Image
- Multiple Privacy Masking
- Physical Alarm Output
- Alarm Trigger and Alarm Input with Own Scheduler
- Remote Monitoring
- Supports Smart Phones & Tablets, P2P Connectivity
- Up to 20m IR Distance
- 2.8 - 12mm Megapixel Lens
- 3D DNR
- Digital WDR
- CVBS Local Video
- True Day / Night
- Two Way Audio
- IP and MAC Address Filtering
- Configuration Backup
- Image Export to Micro SD Card
- Alarm Image Size Dependent on Set Stream Resolution

Dimensions (mm)



DATASHEET

www.geniecctv.com
 sales@geniecctv.com
 T: +44 (0) 1707 330 541
 F: +44 (0) 1707 330 543

Genie CCTV Ltd.
 CCTV House, City Park,
 Watchmead,
 Welwyn Garden City,
 Hertfordshire,
 AL7 1LT,
 United Kingdom

Technical Specification

Model Number	WIP2VDV
Image Sensor	1/2.9" CMOS
Image Pixels	1920 x 1080
Electronic Shutter	1/25s ~ 1/100,000s
Minimum Illumination	0 Lux (IR LED ON)
Lens	2.8 ~ 12mm
Lens Mount	CS
WDR	Yes
3D DNR	Yes
Video Compression	H.264
Resolution	1080P (1920 x 1080), 720P (1280 x 720), VGA (640 x 480), QVGA (320 x 240)
Multi-Stream	1920 x 1080 (1-30fps) / 1280 x 720 (1-30fps) 1280 x 720 (1-10fps) / 640 x 480 (1-30fps) / 320 x 240 (1-30fps)
Bit Rate	64Kbps ~ 8Mbps
Encode Mode	VBR / CBR
Quality	Five Levels Under VBR, Freely Adjustable Under CBR
Image Settings	Saturation, Brightness, Contrast, etc Adjustable through Client Software or Web Browser
Audio Compression	G711A
Network Interface	RJ45
Video Output	BNC x1
Audio Interface	Two Way Audio (MIC In x1, MIC Out x1)
Storage Card	Support TF Card up to 64GB
RS485	Yes
Alarm Input	1 Ch
Alarm Output	1 Ch
Remote Monitoring	IE Browsing, CMS Remote Control
Online Connection	Support Simultaneous Monitoring for up to 6 Users Support Multi-Stream Real Time Transmission
Protocol	TCP/IP, UDP, DHCP, NTP, RTSP, PPPoE, DDNS, SMTP, FTP
Storage	TF Card Local Storage, Network Remote Storage
Smart Alarm	Motion Alarm, Sensor Alarm
Day & Night	ICR
PTZ	RS485 x1
PoE	Yes
IR Distance	Up to 20m
IP Rating	IP66
Power Supply	DC12V / PoE
Power Consumption	2.76W
IR ON	6.48W
Operating Conditions	Temperature: -40°C ~ 50°C Humidity: 10% ~ 90%
Dimensions (ø x H)	ø150 x 114 mm
Weight	880g

Features and specifications are subject to change for further improvement without any notice

Accessories

- **WIPJBVDV** - Junction Box for WISH IP Vandal Domes
- **WIPWVDV** - Wall Mount Bracket for WIP13VDV, WIP2VDV, WIP3VDV
- **WIPCVDV** - Ceiling Mount Bracket for WIP13VDV, WIP2VDV, WIP3VDV
- **PSU2SM** - In-Line DC12V 2A Output, Regulated Switch Mode PSU with Fixing Mount
- **POE-INJ01** - PoE Injector, Single Port