

## DULUX F 36 W/840 2G10

OSRAM DULUX F | Flat CFLni, 2 tubes, with 4-pin base for ECG/CCG operation



### Areas of application

- Offices, public buildings
- Shops
- Supermarkets and department stores
- Hotels, restaurants
- Industry

### Product benefits

- Very economical
- Good quality of light
- Excellent luminous efficiency
- Extremely low profile
- Long service life

### Product features

- Short and compact pin-base lamp with double-turn tubes
- Single-ended four-pin plug-in 2G10 base
- Average life: 10,000 h
- Color rendering index  $R_a$ : 80...89



## Technical data

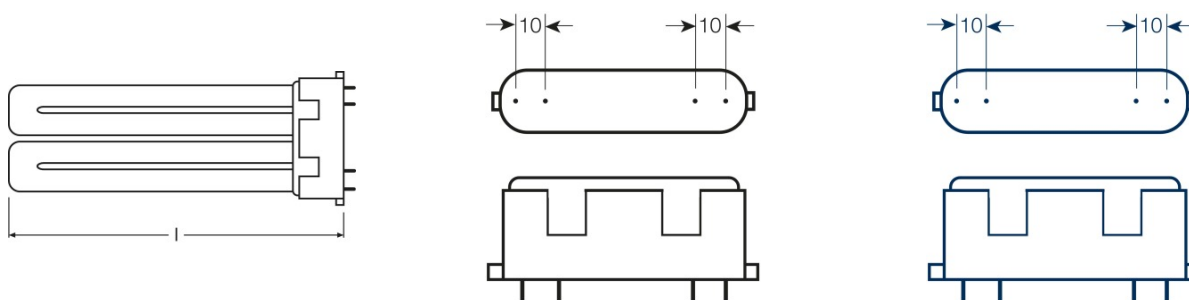
### Electrical data

Nominal wattage	36.00 W
Rated wattage	36.00 W
Energy consumption	40 kWh/1000h

### Photometrical data

Nominal luminous flux	2800 lm
Rated luminous flux	2800 lm
Color temperature	4000 K
Light color	840
Light color as per EN 12464-1	LUMILUX Cool White
Color rendering index Ra	80...89
Luminous flux at 25 °C	2800 lm
Rated LLMF at 4,000 h	0.86
Rated LLMF at 6,000 h	0.83
Rated LLMF at 8,000 h	0.81
Rated LLMF at 12,000 h	0.79
Luminance	3 cd/cm <sup>2</sup>
Color rendering group	1B

### Dimensions & weight



Product line drawing

Base

Base

Overall length	217.0 mm
Product weight	106.00 g
Tube diameter	17.5 mm

## Product datasheet

<b>Length</b>	217.0 mm
<b>Length acc. to IEC standard</b>	217 mm

### Colors & materials

<b>Lamp mercury content</b>	2.9 mg
-----------------------------	--------

### Temperatures

<b>Rated ambient temp.w.max.luminous flux</b>	25.0 °C
---	---------

### Lifespan

<b>Nominal lamp life time</b>	13000 h
<b>Rated lamp life time</b>	13000 h
<b>Service life</b>	9000 h <sup>1)</sup>
<b>Rated lamp survival factor at 2,000 h</b>	0.99
<b>Rated lamp survival factor at 4,000 h</b>	0.99
<b>Rated lamp survival factor at 6,000 h</b>	0.99
<b>Rated lamp survival factor at 8,000 h</b>	0.88
<b>Rated lamp survival factor at 12,000 h</b>	0.64
<b>Operation mode LLMF/LSF</b>	HF
<b>Lifespan</b>	10000 h <sup>1)</sup>

<sup>1)</sup> With preheat ECG

### Additional product data

## Product datasheet



Spectral power distribution

<b>Base (standard designation)</b>	2G10
<b>Appropriate disposal acc. to WEEE</b>	Yes

### Capabilities

<b>Suitable for indoor</b>	Yes
----------------------------	-----

### Certificates & standards

<b>Energy efficiency class</b>	A
--------------------------------	---

### Country specific categorizations

<b>ILCOS</b>	FSD-36/840-E-2G10-90/217
--------------	--------------------------

### Country specific information

Product code	METEL code	SEG number	STK number	UK Org
4050300299037	OSRDF36840	8330650	4934029	-

## Product datasheet

### Lamp-ECG combination (System)

Product name	Product name ECG	EAN	Nominal current	Nominal wattage + Power loss	Luminous flux at 35 °C	Number of lighting outlets
DULUX F 36W/840 2G10	QT-M 2x26-42/220-240 S	4008321110022	0.30 A	70.00 W	2700 lm	2
	QTP-DL 1x36-40	4008321117908	0.17 A	35.00 W	2800 lm	1
	QTP-DL 2x36-40	4008321117922	0.33 A	68.00 W	2800 lm	2
	QTP-M 1x26-42	4008321329134	0.16 A	35.00 W	2700 lm	1
	QTP-M 2x26-32	4008321329158	0.30 A	68.00 W	2700 lm	2
	QTP-OPTIMAL 1x18-40	4008321873743	0.15 A	34.00 W	2700 lm	1
	QTP-OPTIMAL 2x18-40	4008321873767	0.30 A	67.00 W	2700 lm	2
	QTi 1x14/24/21/39 GII	4008321383334	0.15 A	34.00 W	2750 lm	1
	QTi 1x36 DIM	4050300870625	0.16 A	36.00 W	2900 lm	1
	QTi 2x14/24/21/39 GII	4008321383396	0.29 A	66.00 W	2800 lm	2
	QTi 2x36 DIM	4050300870755	0.31 A	69.00 W	2900 lm	2
	QTi DALI 1x36 DIM	4050300870427	0.16 A	36.00 W	2900 lm	1
	QTi DALI 2x36 DIM	4050300870885	0.31 A	69.00 W	2900 lm	2

## Product datasheet



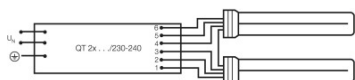
Guarantee

### Equipment / Accessories

- Suitable for operation on electronic and conventional control gear

### Safety advice

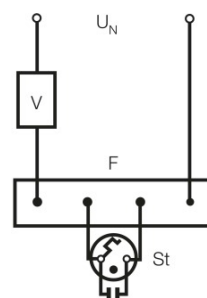
In case of lamp breakage: [www.osram.com/brokenlamp](http://www.osram.com/brokenlamp)



Circuit diagram



Circuit diagram



Circuit diagram

### Logistical Data

Product code	Product description	Packaging unit (Pieces/Unit)	Dimensions (height x width x length)	Volume	Gross weight
4050300299037	DULUX F 36 W/840 2G10	Folding carton box 1	86 mm x 25 mm x 233 mm	0.50 dm <sup>3</sup>	144.70 g
4050300299044	DULUX F 36 W/840 2G10	Shipping carton box 10	245 mm x 105 mm x 275 mm	7.07 dm <sup>3</sup>	1631.00 g

The mentioned product code describes the smallest quantity unit which can be ordered. One shipping unit can contain one or more single products. When placing an order, for the quantity please enter single or multiples of a shipping unit.

---

### References / Links

---

For more information on QUICKTRONIC electronic control gear go to  
▶ [www.osram.com/QUICKTRONIC](http://www.osram.com/QUICKTRONIC)

---

### Disclaimer

---

Subject to change without notice. Errors and omission excepted. Always make sure to use the most recent release.