

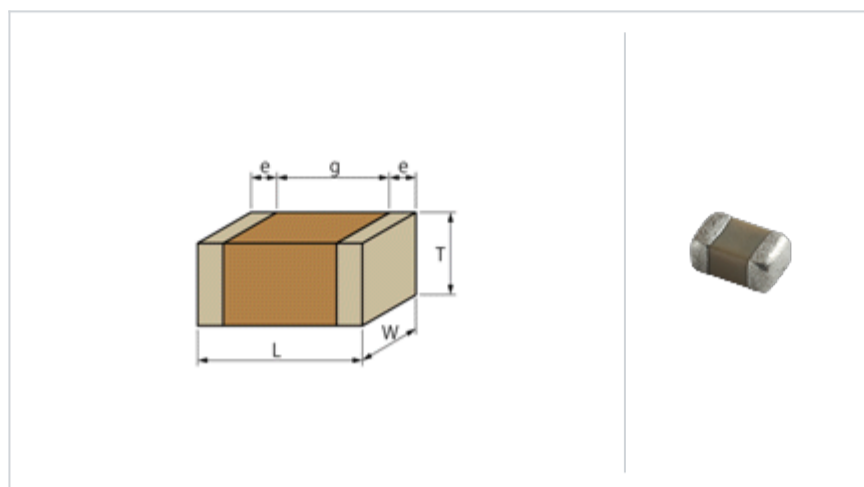
# GR442QR73D102KW01#

"#" indicates a package specification code.



< List of part numbers with package codes >  
GR442QR73D102KW01L , GR442QR73D102KW01K

## Shape



L size	4.5 ± 0.3mm
W size	2.0 ± 0.2mm
T size	1.5 +0.0/-0.3mm
External terminal width e	0.3mm min.
Distance between external terminals g	2.5mm min.
Size code in inch(mm)	1808 (4520)

## Notes

LAN/DC-DC Converter Primary-Secondary Couplings only

## References

Packaging	Specifications	Minimum quantity
L	180mm Embossed taping	2000
K	330mm Embossed taping	8000

Mass (typ.)	
1 piece	68mg

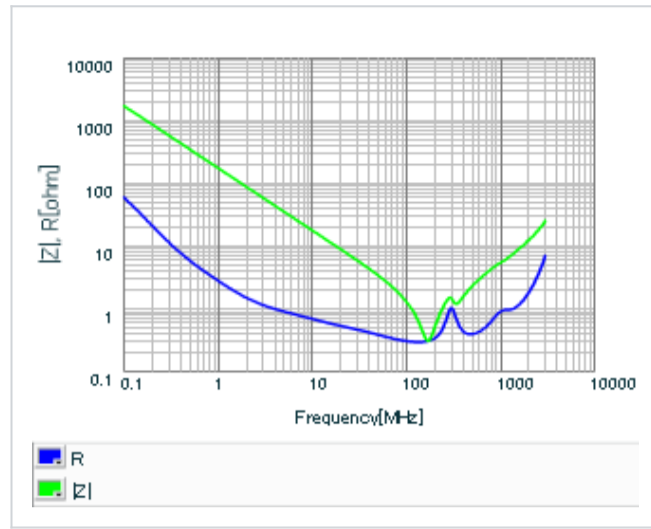
## Specifications

Capacitance	1000pF ± 10%
Rated voltage	2000Vdc
Temperature characteristics (complied standard)	X7R(EIA)
Capacitance change rate	± 15.0%
Temperature range of temperature characteristics	-55 to 125
Operating temperature range	-55 to 125

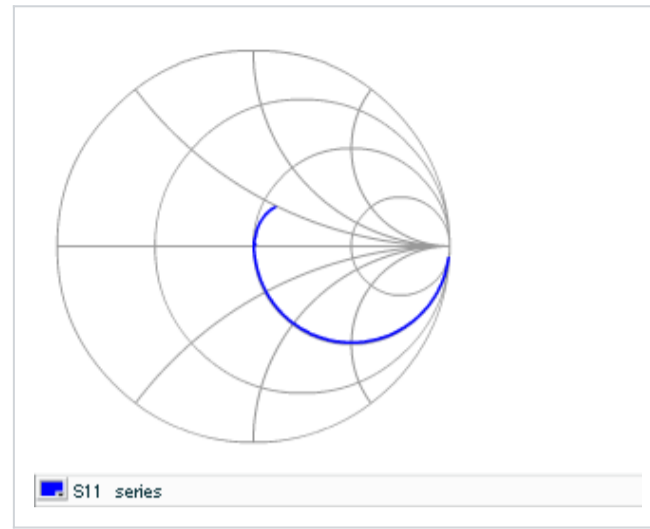
### ⚠ Attention

- 1.This datasheet is downloaded from the website of Murata Manufacturing Co., Ltd. Therefore, it ' s specifications are subject to change or our products in it may be discontinued without advance notice. Please check with our sales representatives or product engineers before ordering.
- 2.This datasheet has only typical specifications because there is no space for detailed specifications. Therefore, please review our product specifications or consult the approval sheet for product specifications before ordering.

▪ Frequency characteristics (ESR, Impedance)



▪ S parameter (Smith chart S11)



▪ Capacitance - temperature characteristics

