



Series 35-7 PCB Tainer

WEIGHT

.17g/cm (.015 oz/in)

MATERIALS AND FINISH

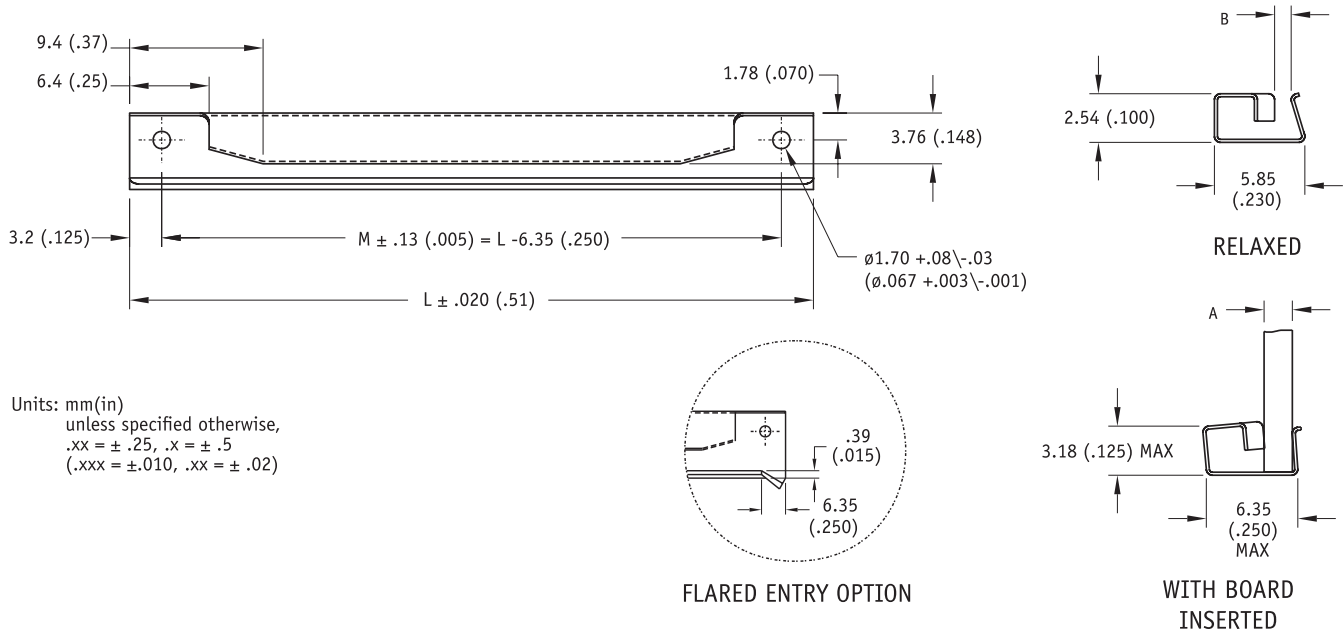
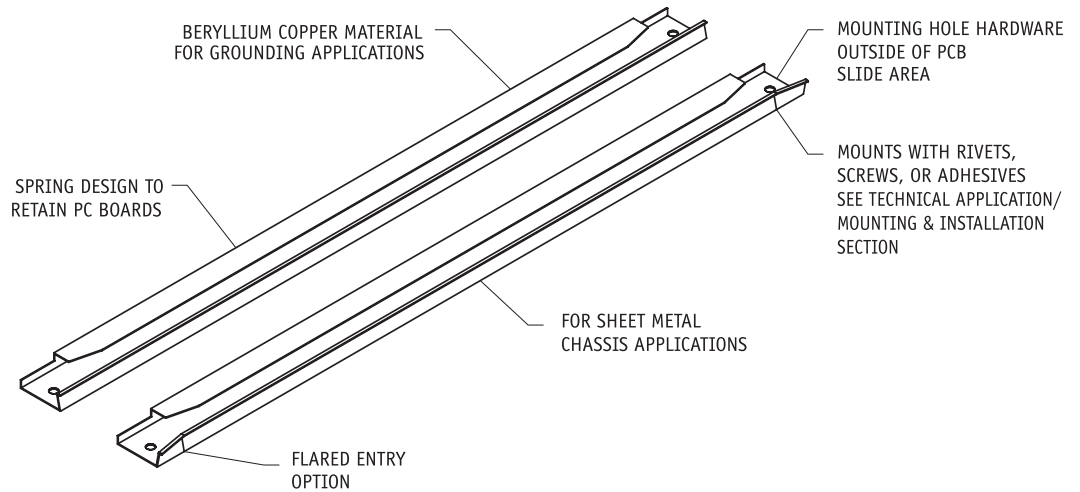
HOUSING

Material:

.005-in. (.13-mm) thick
Beryllium Copper per ASTM
B-194 or Stainless Steel per
MIL-S-5059

Finish:

See finish table on opposite
page



MATERIALS TABLE

CODE LETTER	MATERIAL
B	BERYLLIUM COPPER, 1/4H PER, ASTM-B-194
BH	BERYLLIUM COPPER, 1/4 HT PER QQ-C-533, HEAT TREATED
CR	STAINLESS STEEL, TYPE 301 COND 1/4 H PER AMS 5517

BOARD THICKNESS TABLE

DASH #	A BOARD THICKNESS	B RELAXED (+.00/- .38 (+.000/- .015)
		-1
-2	1.60 (.063)	1.40 (.055)
-3	2.36 (.093)	2.16 (.085)

FINISH TABLE

DASH #	
[blank]	SILVER PLATE PER QQ-S-365, TYPE III, GRADE A
-1	NONE
-2	EBANOL PER MIL-F-495 FOR BERYLLIUM COPPER
-4	COPPER PLATE PER MIL-C-14550, CLASS 2
-5	GOLD PLATE PER MIL-G-45204, TYPE 1, CLASS 1
-6	NICKEL PLATE PER QQ-N-290, CLASS 1, GRADE G, BRIGHT
-7	ZINC PLATE CLEAR CHROMATE, PER ASTM-B-633, Fe/Zn 8
-8	ZINC PLATE YELLOW CHROMATE, PER ASTM-B-633 Fe/Zn 8

Part Number Code	
Series 35-7 PCB-TAINER	35 C F -7 B - 2 - 10 - 5
Center Mounting Hole:	
Center Mounting Hole: _____ C	
None: _____ [Blank]	
Flared Entry	
Flared Entry: _____ F	
None: _____ [Blank]	
Material	
Beryllium Copper _____ B	
or select from Materials Table	
Board Thickness	
1.59 (.063) PCB Thickness _____ 2	
or select from Board Thickness Table	
Length	
Length in 12.7 (.50) increments _____ 2 [25.4 (1.00)]	
_____ to 12 [152.4 (6.00)]	
Finish	
Gold Plate _____ 5	
or select from Finish Table	
No dash number required for CR material. Stainless steel parts are passivated only.	

Part Number Code example: 35-7B-3-12-6

35 Series PCB-TAINER, Beryllium Copper, 2.38-mm (.093-in.) thick board, 152.4-mm (6.00-in.) long, Nickel Plate finish.