

# SL1021 / 200 / RF

## SEMITRON *GREENTUBE*' SERIES

3 TERMINAL, MEDIUM DUTY ARRESTER

TOTALLY NON-RADIOACTIVE

*'BT APPROVED 21A TO SPECIFICATION D2954'*

ELECTRICAL CHARACTERISTICS		SL1021 / 200 / RF	
DC SPARKOVER	(V)	150 - 250	(i)
IMPULSE SPARKOVER (max)	(V)	450	(ii)
ALTERNATING DISCHARGE CURRENT		5A	(iii)

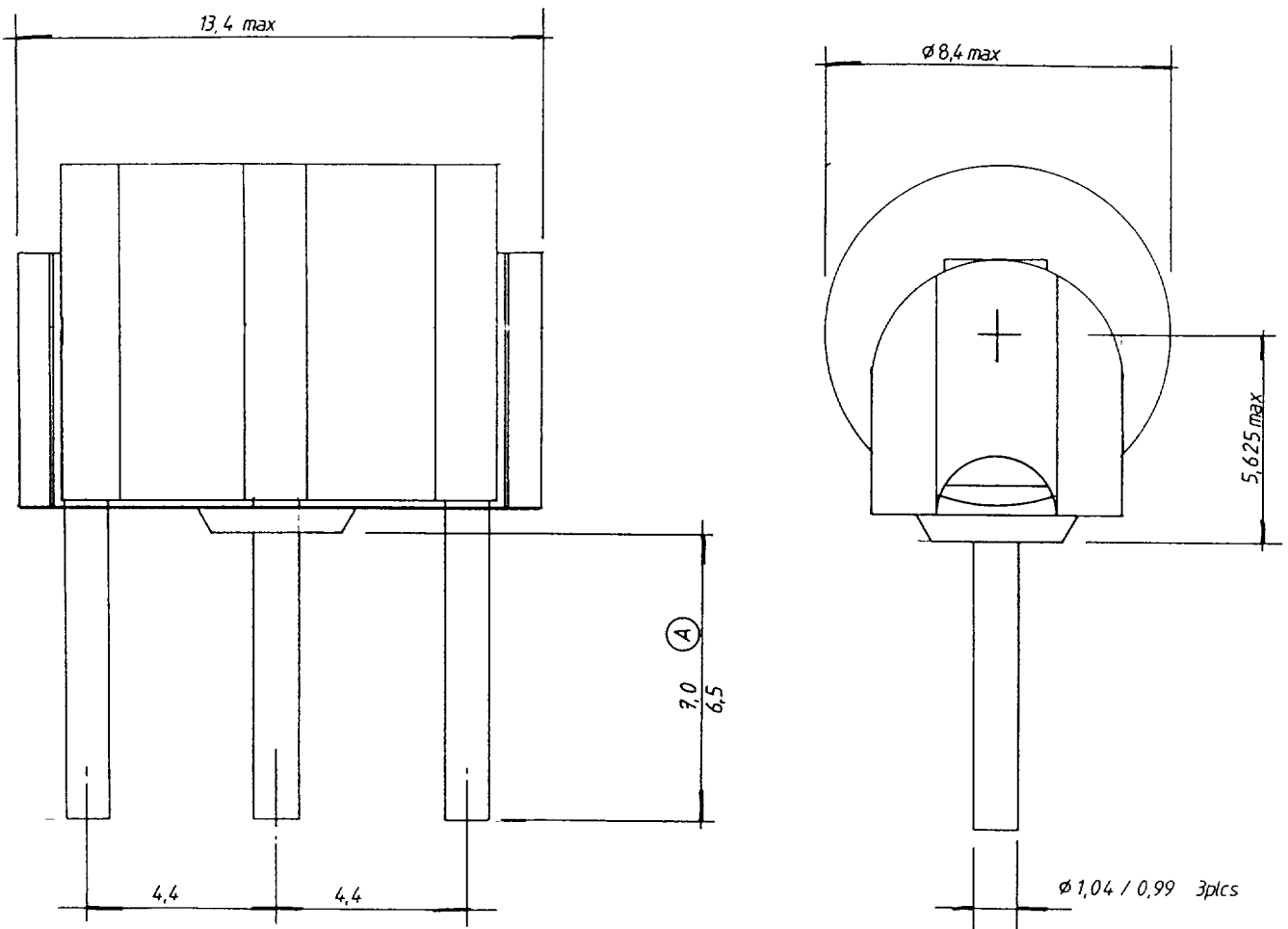
IMPULSE DISCHARGE CURRENT		5KA	(iv)
INSULATION RESISTANCE	( $\Omega$ )	$1 \times 10^8$	(v)
CAPACITANCE (max)	(pF)	5	(vi)
HOLDOVER	(V)	100	(vii)

- (i) Measured using a rate of rise of voltage of 100V/s
- (ii) Measured using 10/700us pulse 5KV with peak current of 125A
- (iii) Measured at 1 sec duration, 5 shots @ 3 min intervals
- (iv) Measured at 8/20usec, 5 shots each polarity.
- (v) Measured at +140V dc
- (vi) Measured at 1MHz
- (vii) Measured using BT test circuit.

# SL1021 / 200 / RF

## MECHANICAL DIMENSIONS

Devices are Tin plated as standard, Nickel plating available on request .



All dimensions in mm.

**SEMITRON INDUSTRIES LIMITED**

CHELWORTH INDUSTRIAL ESTATE, CHELWORTH, CRICKLADE, WILTSHIRE, SN6 6HQ