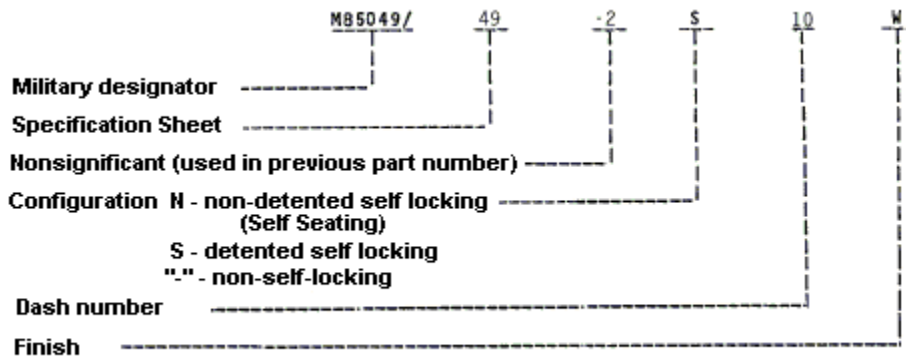
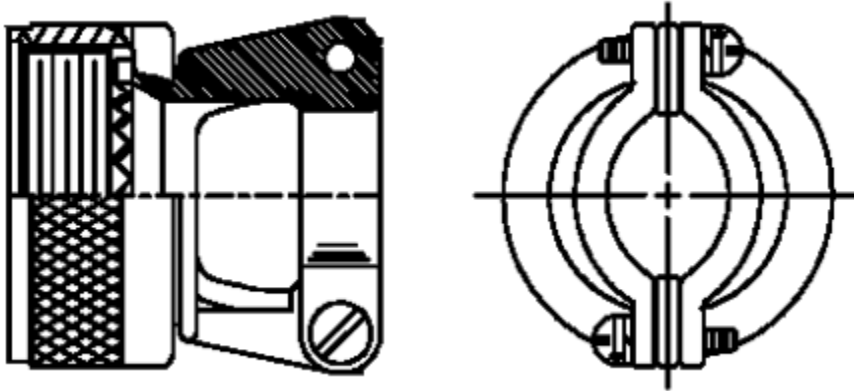


Part Number: M85049/49-2



Dash Number = Shell Size

Finish

- **A** = Aluminum, Black Anodize
- **N** = Aluminum, Electroless Nickel
- **S** = 300 Series Steel, Passivated
- **W** = Aluminum, 1000 Hour Cadmium Olive Drab over Electroless Nickel