

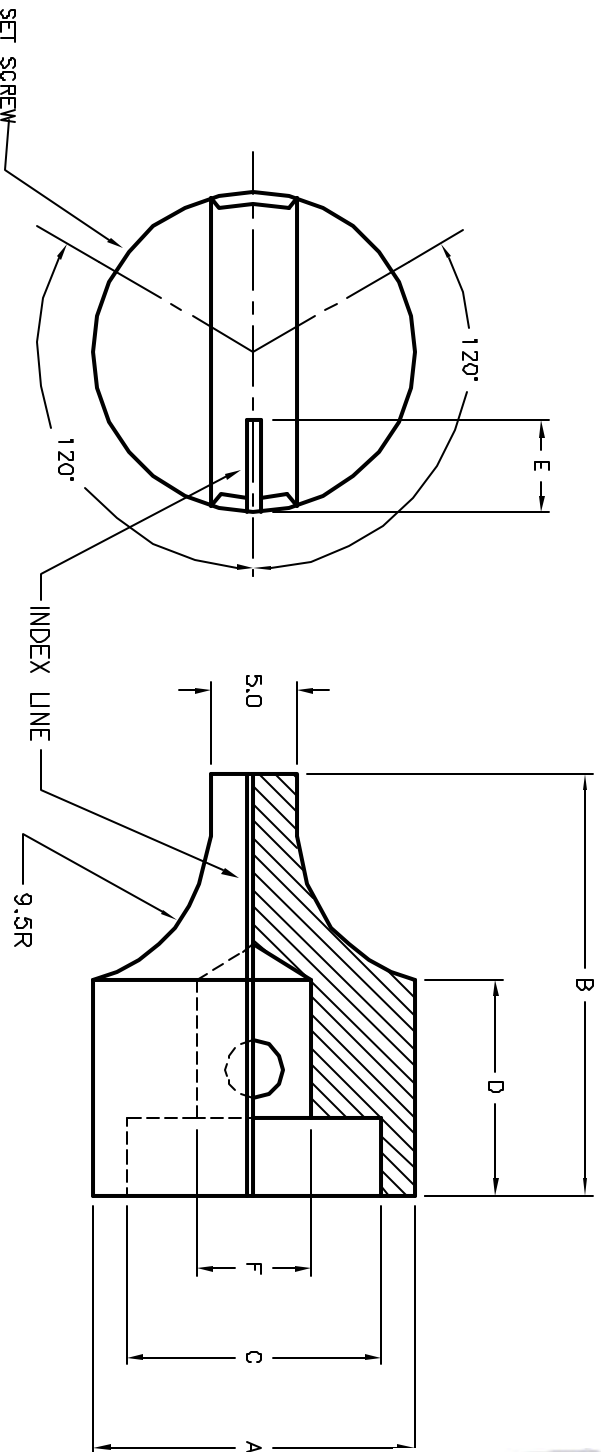
RoHS
Compliant

ALL RIGHTS RESERVED. NO PORTION OF THIS PUBLICATION, WHETHER IN WHOLE OR IN PART CAN BE REPRODUCED WITHOUT THE EXPRESS WRITTEN CONSENT OF SPC TECHNOLOGY.

SPC-F006.DWG

REVISIONS

DWG. NO.	SPC-F006	Effective 7/8/02	DCP No 1308				
DCP #	REV	DESCRIPTION	DATE	CHECKD	DATE	APPRVD	DATE
1933	A	RELEASED	09/07/06	JN	03/24/08	JN	03/24/08



Multicomp P/N	A	B	C	D	E	F	COLOR	SCREWS
MC21033	12.7	25.4	9.5	13.0	5.0	6.4	BLACK	6-32 x 2P
MC21034	16.4	26.7	14.1	16.3	5.2	6.00	NATURAL	8-32 x 1P
MC21035	19.0	25.4	15.0	13.0	5.0	6.4	BLACK	6-32 x 2P
MC21036	22.0	26.7	18.2	16.3	5.5	6.00	NATURAL	8-32 x 1P
MC21037	31.8	26.7	25.0	16.3	6.0	6.00	NATURAL	8-32 x 1P

SPECIFICATIONS

MATERIAL: Aluminum
FINISH: Anodized

TOLERANCES:

UNLESS OTHERWISE SPECIFIED, DIMENSIONS ARE FOR REFERENCE PURPOSES ONLY.

DRAWN BY:

EKLAS ODISH

DATE:

09/07/06

DRAWING TITLE:

Dial Type Knobs, Bar Sides, Top/Side Indicator Line, Solid Aluminum

CHECKED BY:

Jason Nash

DATE:

03/24/08

SIZE DWG. NO.

A TA-784

ELECTRONIC FILE

TA-784.DWG

APPROVED BY:

Jason Nash

DATE:

03/24/08

SCALE:

NTS

U.O.M.: MILLIMETERS

SHEET: 1 OF 1

DISCLAIMER: ALL STATEMENTS AND TECHNICAL INFORMATION CONTAINED HEREIN ARE BASED UPON INFORMATION AND/OR TESTS WE BELIEVE TO BE ACCURATE AND RELIABLE. SINCE CONDITIONS OF USE ARE BEYOND OUR CONTROL, THE USER SHALL DETERMINE THE SUITABILITY OF THE PRODUCT FOR THE INTENDED USE AND ASSUME ALL RISK AND LIABILITY WHATSOEVER IN CONNECTION THEREWITH.