

# Industrial Relay Type RPY 4 10A Monostable



- High switching power
- Wide range of applications
- 10A switching capacity
- 4 pole configuration
- Flanged pins 5mm (0.20")
- DC coils from 6 to 220V
- AC coils from 6 to 380V
- Compliant with CE low voltage directive
- TÜV, UL, CSA approved

## Product Description

The RPY relay can be used for a wide range of industrial applications. Available in 1, 2, 3, 4 pole change-over contact configuration. Its wide terminals allow reliability big currents.

## Ordering Key

**RPY A 004 A24 DLT**

Type \_\_\_\_\_  
 Terminal type \_\_\_\_\_  
 Contact code \_\_\_\_\_  
 Coil code \_\_\_\_\_  
 Options \_\_\_\_\_

Terminal type: A = Plug in terminals, blades  
 B = PCB terminals

Box content: 10 relays  
 Box size: (W 240 x D 105 x H 38) mm Weight: 850g  
 (W 9.45 x D 4.13 x H 1.50) inches Weight: 29.99oz

## Approvals



### Contact configuration

4 change over contacts (DPDT- 4 form C)

### Contact rating

10A

### Contact code

004

## Coil Characteristics, DC @ +25°C (+77°F), coil power 1.5W

Coil Code	Nominal Voltage VDC	Pick-up Voltage VDC	Drop-out Voltage VDC	Max. Allowed Voltage VDC	Coil Current mA	Coil Resistance Ω
6	6	4.5	0.6	6.6	250	24
9	9	6.75	0.9	9.9	170	54
12	12	9	1.2	13.2	125	96
24	24	18	2.4	26.4	70	360
36	36	27	3.6	39.6	42	865
48	48	36	4.8	52.8	31	1540
110	110	82.5	11	121	16	6800
220	220	165	22	242	7.6	29000

## Coil Characteristics, AC @ +25°C (+77°F), coil power 2.5VA

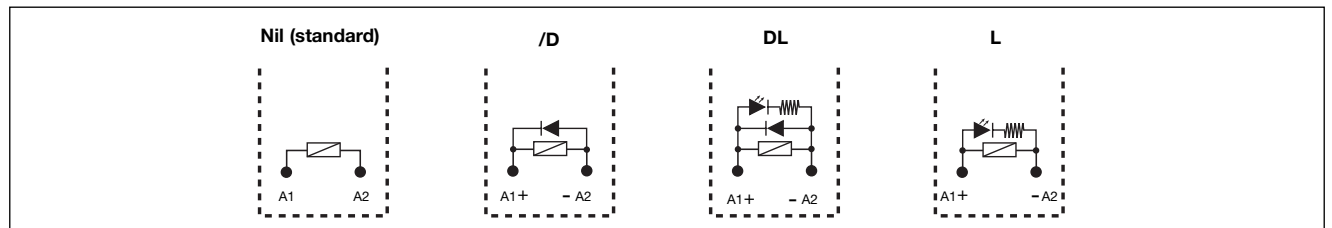
Coil Code	Nominal Voltage VAC	Pick-up Voltage VAC	Drop-out Voltage VAC	Max. Allowed Voltage VAC	Coil Current mA		Coil Resistance Ω
					50Hz	60Hz	
A6	6	4.8	1.8	6.6	420	360	5
A12	12	9.6	3.6	13.2	210	180	20
A24	24	19.2	7.2	26.4	100	85	80
A36	36	28.8	10.8	39.6	70	60	180
A48	48	38.4	14.4	52.8	52	44	320
A110	100/110	88.0	30.0	121.0	25/23	21/19.5	1680
A120	120	96.0	36.0	142.0	20	17	2000
A220	220	176	66.0	242.0	12	10	6700
A240	240	192	72.0	264.0	10	8.5	8000
A380	380	304	114.0	418.0	6.5	5.5	29000

## Options

Nil = Standard (Fig.1)  
D = Free Wheeling diode (DC coil only)  
F = Flange Mount (Fig.2)  
G = Gold Plated contacts

L = LED  
T = Test Button

**Note:**  
In case of more options use the alphabetical order for coding.  
LED and test button are not available on flange mount version



## Contact Characteristics

<b>Contact Rating</b> (With resistive load)	<b>10A – 250VAC</b>	<b>Max Switching Power</b>	<b>2500VA / 280W</b>
<b>Usually rating</b>	<b>10A-250VAC / 28VDC</b>	<b>Life</b>	
<b>Material</b>	<b>AgSnO<sub>2</sub>In<sub>2</sub>O<sub>3</sub></b>	Electrical life	<b>1x10<sup>5</sup> cycles (3600ops/h)</b>
<b>Contact Resistance</b>	<b>≤50mΩ</b>	Mechanical	<b>1x10<sup>7</sup> cycles (18000ops/h)</b>
<b>Current</b>		<b>UL/CSA ratings</b>	
Max. switching current	<b>10A</b>	<b>1/3Hp 120VAC</b>	
Min. switching current	<b>10mA @ 12VDC</b>	<b>1/2Hp 240VAC</b>	
Min. switching current G version	<b>1mA @ 6VDC</b>	<b>10A @ 30VDC</b>	
		<b>10A @ 250VAC</b>	

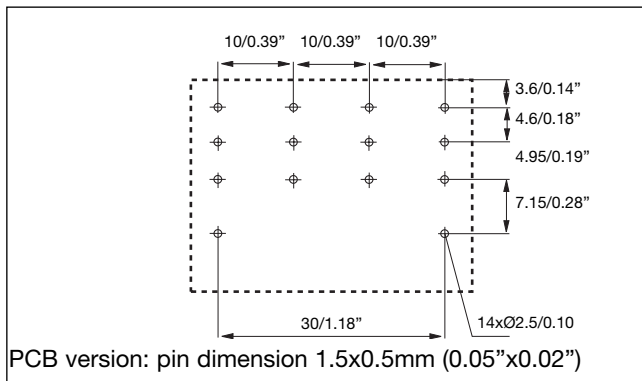
## Insulation

<b>Test voltage</b> (1min.)		<b>Insulation According to EN61810-5</b>	
Between coil and contacts	<b>2000VAC</b>	Rated insulation voltage	<b>250V</b>
Between open contacts	<b>1200VAC</b>	Impulsive insulation	<b>2kV</b>
Contact / contact	<b>1200VAC</b>	Overvoltage categor	<b>II</b>
<b>Insulation resistance</b>	<b>≥1000MΩ - 500V</b>		

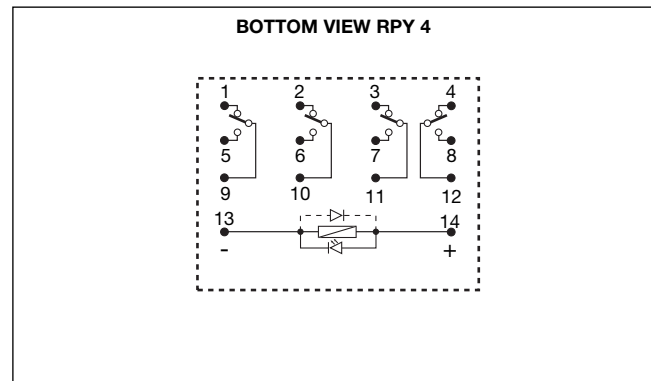
## General Data

<b>Nominal coil power</b>	<b>1.5W DC – 2.5VA AC</b>	<b>Vibration resistance</b>	<b>10 to 55Hz 1mm (0.04")</b>
<b>Operating time</b> (at nominal voltage)	<b>≤20ms</b>	<b>Shock resistance</b>	<b>98m/s<sup>2</sup> (10G)</b>
<b>Release time</b> (at nominal voltage)	<b>≤20ms</b>	Functional	
<b>Ambient temperature</b>	<b>-25° to +55°C (-13° to +131°F)</b>	<b>Termination</b>	<b>Flanges (blades) 5mm (0.20")</b>
<b>Ambient humidity</b>	<b>35% to 85%</b>	<b>Construction</b>	<b>Dust cover</b>
		<b>Weight</b>	<b>65g (2.29oz)</b>

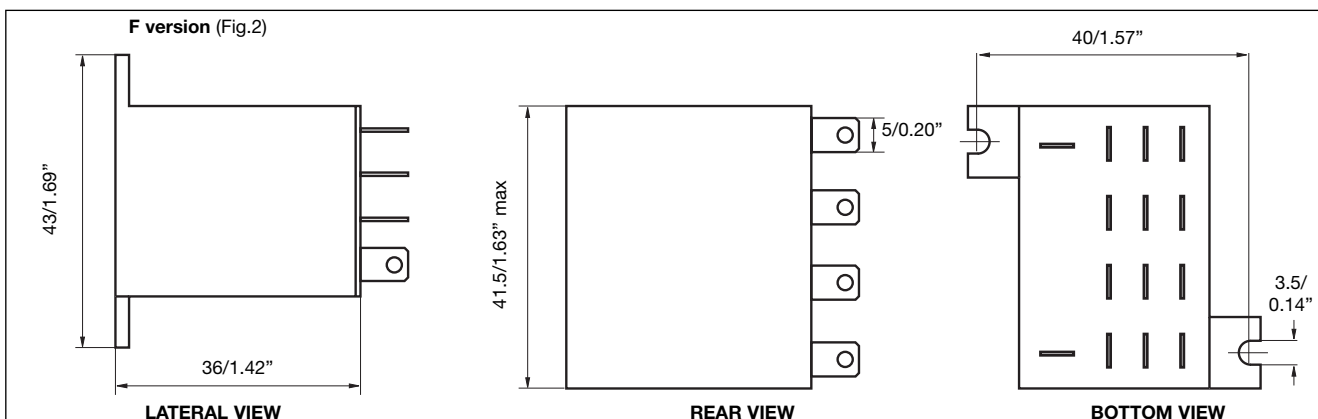
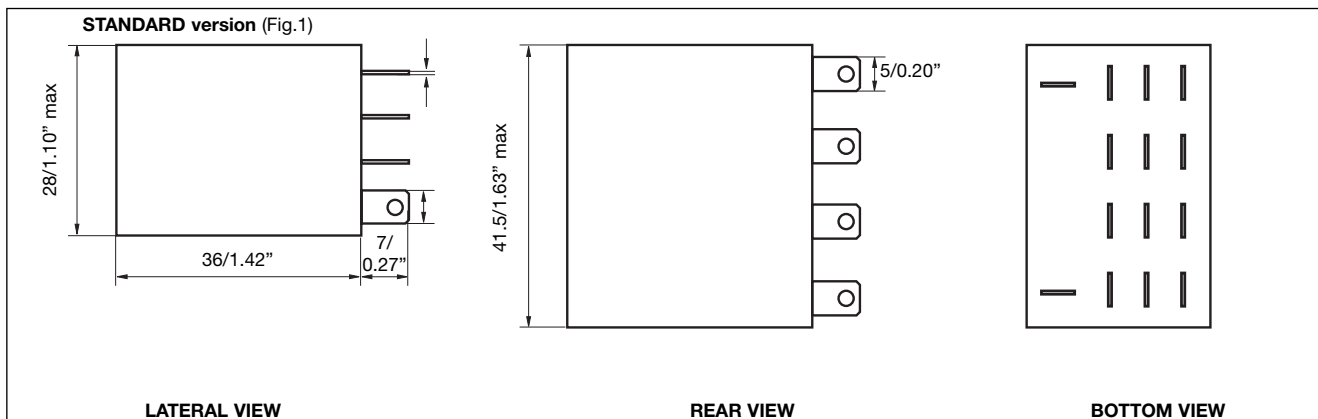
## Pin View mm/inches



## Wiring Diagram

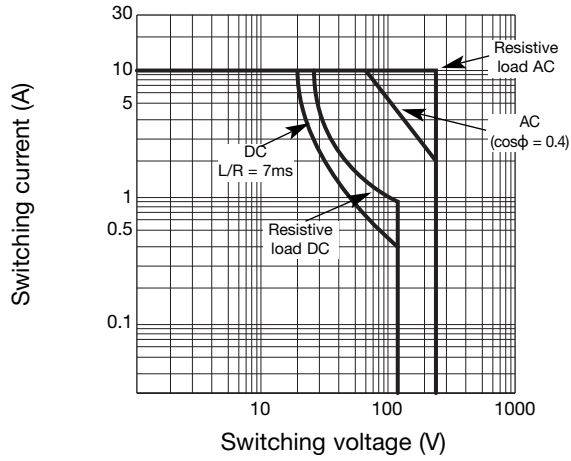


## Dimensions mm/inches

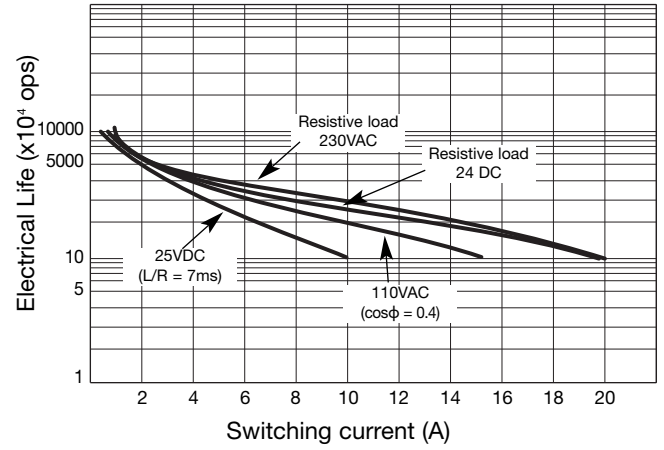


## Diagrams

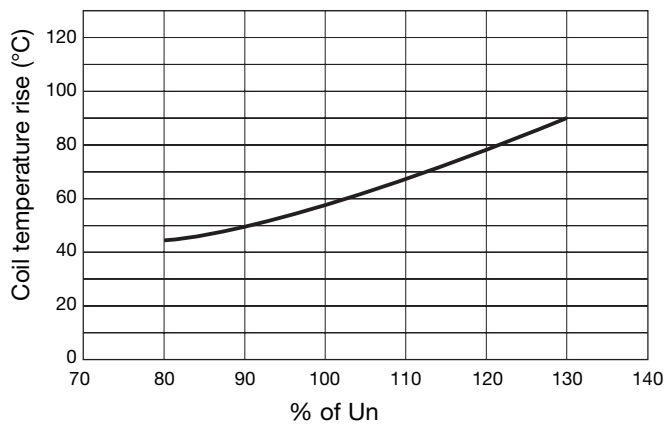
### Max. switching current



### Electrical Life



### Temperature curve of coil



## Bases and Sockets

DIN rail sockets code is **ZPY14A** details and specifications on page 70 of industrial relays catalogue.  
 PCB sockets code is **ZY14** details and specifications on page 72 of industrial relays catalogue.