

**PLEASE CHECK WWW.MOLEX.COM FOR LATEST PART INFORMATION**

**Part Number:** [73415-5032](#)  
**Status:** **Active**  
**Overview:** SMPM and SMP RF Connectors  
**Description:** 50 Ohms, SMP Jack Right-Angle for RG-174, RG-188 and RG-316 Cable, Small Tray

**Documents:**

[Drawing \(PDF\)](#) [RoHS Certificate of Compliance \(PDF\)](#)

**General**

|                 |  |
|-----------------|--|
| Product Family  | RF/Coax Connectors                         |
| Series          | <a href="#">73415</a>                      |
| Overview        | <a href="#">SMPM and SMP RF Connectors</a> |
| Product Name    | SMP  |
| Style           | Cable                                      |
| UPC             | 822350970129                               |
| Wire/Cable Type | RG-174, RG-188, RG-316                     |

**Physical**

|                       |             |
|-----------------------|-------------|
| Gender                | Jack        |
| Keying to Mating Part | None        |
| Net Weight            | 1.226/g     |
| Orientation           | Right Angle |
| PCB Mounting          | N/A         |
| Packaging Type        | Tray        |
| Panel Mount           | No          |
| Panel Mount Method    | N/A         |
| Reverse Polar         | No          |

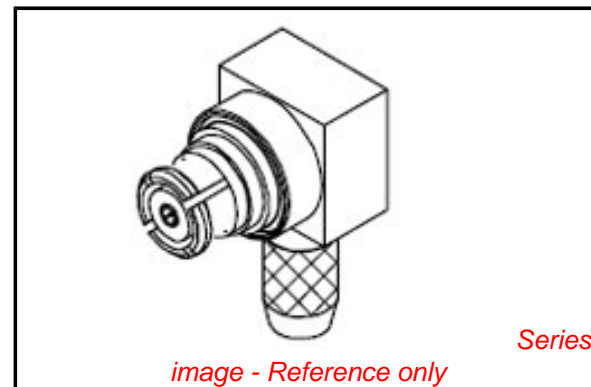
**Electrical**

|           |     |
|-----------|-----|
| Impedance | 50# |
|-----------|-----|

**Material Info**

**Reference - Drawing Numbers**

|               |              |
|---------------|--------------|
| Sales Drawing | SD-73415-503 |
|---------------|--------------|



**EU RoHS**

**RoHS Compliant RF Product**

**REACH SVHC**

**Contains SVHC: No**

**Low-Halogen Status**

**Low-Halogen**

**China RoHS**



**Need more information on product environmental compliance?**

Email [productcompliance@molex.com](mailto:productcompliance@molex.com)  
 For a multiple part number RoHS Certificate of Compliance, [click here](#)

Please visit the [Contact Us](#) section for any non-product compliance questions.

**Search Parts in this Series**

[73415Series](#)