

**PLEASE CHECK WWW.MOLEX.COM FOR LATEST PART INFORMATION**

**Part Number:** [74029-8000](#)  
**Status:** **Active**  
**Overview:** VHDM® Backplane Connector Systems  
**Description:** 2.00mm Pitch VHDM® Board-to-Board Backplane Receptacle Power Module, Vertical, 8-Row, 3 Circuits, Gold (Au) Selective 0.76µm

**Documents:**

[3D Model](#) [Product Specification PS-74031-999 \(PDF\)](#)  
[Drawing \(PDF\)](#) [RoHS Certificate of Compliance \(PDF\)](#)

**Agency Certification**

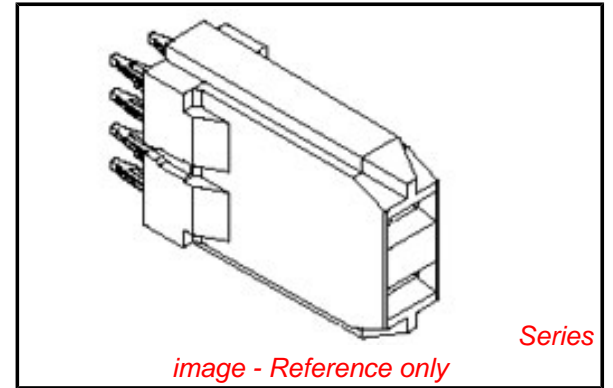
CSA LR19980  
 UL E29179

**General**

Product Family Backplane Connectors  
 Series [74029](#)  
 Application Backplane  
 Application Tooling Documents TM-622010999  
 Comments Backplane Receptacle Module, Power  
 Component Type Power Receptacle  
 Overview [VHDM® Backplane Connector Systems](#)  
 Product Name VHDM®  
 Style N/A  
 UPC 800754771719

**Physical**

Circuits (Loaded) 3  
 Circuits (maximum) 3  
 Color - Resin Black  
 Durability (mating cycles max) 200  
 First Mate / Last Break No  
 Flammability 94V-0  
 Guide to Mating Part No  
 Keying to Mating Part None  
 Material - Metal High Performance Alloy (HPA)  
 Material - Plating Mating Gold  
 Material - Plating Termination Tin-Lead  
 Material - Resin High Temperature Thermoplastic  
 Net Weight 1.519g  
 Number of Columns N/A  
 Number of Pairs Open Pin Field  
 Number of Rows 8  
 Orientation Vertical  
 PC Tail Length 2.80mm  
 PCB Locator No  
 PCB Retention None  
 PCB Thickness - Recommended 1.80mm  
 Packaging Type Tube  
 Pitch - Mating Interface 2.00mm  
 Pitch - Termination Interface 4.00mm  
 Plating min - Mating 0.762µm  
 Plating min - Termination 0.381µm  
 Polarized to PCB Yes  
 Stackable No  
 Surface Mount Compatible (SMC) Yes



**EU RoHS**

**ELV and RoHS Compliant**  
**REACH SVHC Contains SVHC: No**  
**Low-Halogen Status Low-Halogen**

**China RoHS**



**Need more information on product environmental compliance?**

Email [productcompliance@molex.com](mailto:productcompliance@molex.com)  
 For a multiple part number RoHS Certificate of Compliance, [click here](#)

Please visit the [Contact Us](#) section for any non-product compliance questions.

**Search Parts in this Series**

[74029Series](#)

**Mates With**

[74026 VHDM® Board-to-Board Daughtercard Receptacle](#)

**Application Tooling | FAQ**

*Tooling specifications and manuals are found by selecting the products below. Crimp Height Specifications are then contained in the Application Tooling Specification document.*

**Global**

Description	Product #
Backplane 6 and 8-Row Power Module Insertion Tool	<a href="#">0622020211</a>

Temperature Range - Operating -55°C to +105°C  
Termination Interface: Style Through Hole - Compliant Pin

### **Electrical**

Current - Maximum per Contact 10A  
Data Rate 2.5 Gbps  
Real Signals (per 25mm) 100  
Shielded No  
Voltage - Maximum 250V

### **Material Info**

### **Reference - Drawing Numbers**

Product Specification PS-74031-999  
Sales Drawing SD-74029-002, SD-74029-009

VHDM and Very High Density Metric are trademarks of Amphenol Corporation

This document was generated on 12/08/2014

**PLEASE CHECK [WWW.MOLEX.COM](http://WWW.MOLEX.COM) FOR LATEST PART INFORMATION**