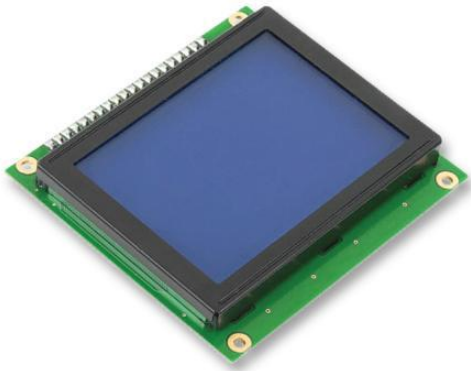


# Winstar LCD Display Module



Mikroe Part Number: Mikroe-4

Manufacturer: Winstar Display Co., LTD

Module Number: WDG0151-TMI-V#N00



# Winstar Display Co., LTD

## 華凌光電股份有限公司

住址: 407 台中市中清路 163 號  
No.163 Chung Ching RD.,  
Taichune, Taiwan, R.O.C

WEB: <http://www.winstar.com.tw>  
E-mail: sales@winstar.com.tw  
Tel:886-4-24262208 Fax : 886-4-24262207



### SPECIFICATION

**CUSTOMER :** \_\_\_\_\_

**MODULE NO.:** WDG0151-TMI-V#N00

|   |  |
|---|--|
| <p style="text-align: center;"><b>APPROVED BY:</b></p> <p>( FOR CUSTOMER USE ONLY )</p> | <p><b>PCB VERSION:</b> _____</p> <p><b>DATA:</b> _____</p> |
|---|--|

| SALES BY | APPROVED BY | CHECKED BY | PREPARED BY |
|----------|-------------|------------|-------------|
|          |             |            |             |

| VERSION | DATE       | REVISED<br>PAGE NO. | SUMMARY     |
|---------|------------|---------------------|-------------|
| 0       | 2009/11/10 |                     | First issue |



MODLE NO :

**RECORDS OF REVISION**

**DOC. FIRST ISSUE**

| VERSION | DATE       | REVISED<br>PAGE NO. | SUMMARY     |
|---------|------------|---------------------|-------------|
| 0       | 2009/11/10 |                     | First issue |

# **Contents**

- 1.Module classification information
- 2.Precautions in Use of LCM
- 3.General Specification
- 4.Absolute Maximum Ratings
- 5.Electrical Characteristics
- 6.Optical Characteristics
- 7.Interface Pin Function
- 8.Counter Drawing & Block Diagram
- 9.Timing Characteristics
- 10.Display Control Instruction
- 11.Detailed Explanation
- 12.Reliability
- 13.Backlight Information
- 14.Inspection specification
- 15.Material List of Components for RoHs

# 1.Module Classification Information

W D G   0151 -   T M I -   V# N00  
 ① ② ③        ④                ⑤ ⑥ ⑦                ⑧

- ① Brand : WINSTAR DISPLAY CORPORATION
- ② Custom : D
- ③ Display Type : H→ Character Type ; G→ Graphic Type N → LCD Display
- ④ Model serials no.0000 - ZZZZ
- ⑤ Backlight Type :    N→ Without backlight                P→ LED, Blue  
    B→ EL, Blue green                                A→ LED, Amber  
    D→ EL, Green    R→ LED, Red  
    W→ EL, White    O→ LED, Orange  
    F→ CCFL, White                                        G→ LED, Green  
    Y→ LED, Yellow Green                              T→ LED, White
- ⑥ LCD Mode :            B→ TN Positive, Gray                              T→ FSTN Negative  
    N→ TN Negative,  
    G→ STN Positive, Gray  
    Y→ STN Positive, Yellow Green  
    M→ STN Negative, Blue  
    F→ FSTN Positive
- ⑦ LCD Polarizer        A→ Reflective, N.T, 6:00                          H→ Transflective, W.T,6:00  
     Type/                    D→ Reflective, N.T, 12:00                        K→ Transflective, W.T,12:00  
     Temperature        G→ Reflective, W. T, 6:00                        C→ Transmissive, N.T,6:00  
     range/ View        J→ Reflective, W. T, 12:00                        F→ Transmissive, N.T,12:00  
     direction            B→ Transflective, N.T,6:00                        I→ Transmissive, W. T, 6:00  
    E→ Transflective, N.T.12:00                      L→ Transmissive, W.T,12:00
- ⑧ Special Code        V: Build in Negative Voltage    N: IC NT7107, NT7108C  
    # : Fit in with the ROHS Directions and regulations;  
    0:Sales code    0:Version

## 2.Precautions in Use of LCD Module

- (1) Avoid applying excessive shocks to the module or making any alterations or modifications to it.
- (2) Don't make extra holes on the printed circuit board, modify its shape or change the components of LCD Module.
- (3) Don't disassemble the LCM.
- (4) Don't operate it above the absolute maximum rating.
- (5) Don't drop, bend or twist LCM.
- (6) Soldering: only to the I/O terminals.
- (7) Storage: please storage in anti-static electricity container and clean environment.
- (8). Winstar have the right to change the passive components
- (9). Winstar have the right to change the PCB Rev.

## 3.General Specification

| ITEM              | STANDARD VALUE  | UNIT |
|-------------------|---|------|
| Number of dots    | 128 ×64   | dots |
| Outline dimension | 78.0 (W) ×70.0 (H) ×14.3 (T)  | mm   |
| View area         | 62.0(W) ×44.0(H)  | mm   |
| Active area       | 56.3(W) ×38.38(H)   | mm   |
| Dot size          | 0.42(W) ×0.58(H)  | mm   |
| Dot pitch         | 0.44(W) ×0.60(H)  | mm   |
| LCD type          | STN Negative, Blue, Transmissive<br>(In LCD production, It will occur slightly color difference. We can only guarantee the same color in the same batch.) |      |
| View direction    | 6 o'clock   |      |
| Backlight         | LED , White   |      |

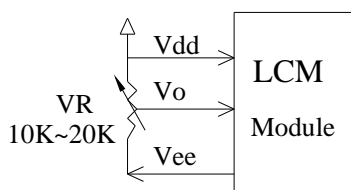
## 4. Absolute Maximum Ratings

| ITEM                     | SYMBOL           | MIN. | TYP. | MAX.     | UNIT |
|--------------------------|------------------|------|------|----------|------|
| Operating Temperature    | $T_{OP}$         | -20  | -    | +70      | °C   |
| Storage Temperature      | $T_{ST}$         | -30  | -    | +80      | °C   |
| Input Voltage            | $V_I$            | 0    | -    | $V_{DD}$ | V    |
| Supply Voltage For Logic | $V_{DD}-V_{SS}$  | 0    | -    | 6.5      | V    |
| Supply Voltage For LCD   | $V_{DD}-V_{LCD}$ | 0    | -    | 17.0     | V    |

## 5. Electrical Characteristics

| ITEM                            | SYMBOL          | CONDITION                 | MIN. | TYP. | MAX.     | UNIT |
|---------------------------------|-----------------|---------------------------|------|------|----------|------|
| Logic Voltage                   | $V_{DD}-V_{SS}$ | -                         | 4.5  | 5.0  | 5.5      | V    |
| Supply Voltage For LCD<br>*Note | $V_{DD}-V_O$    | $T_a=-20^{\circ}\text{C}$ | -    | -    | -        | V    |
|                                 |                 | $T_a=25^{\circ}\text{C}$  | 7.62 | 8.51 | 9.26     | V    |
|                                 |                 | $T_a=+70^{\circ}\text{C}$ | -    | -    | -        | V    |
| Input High Volt.                | $V_{IH}$        | -                         | 2.0  | -    | $V_{DD}$ | V    |
| Input Low Volt.                 | $V_{IL}$        | -                         | 0    | -    | 0.8      | V    |
| Output High Volt.               | $V_{OH}$        | -                         | 2.4  | -    | $V_{DD}$ | V    |
| Output Low Volt.                | $V_{OL}$        | -                         | 0    | -    | 0.4      | V    |
| Supply Current                  | $I_{OP}$        | 5.0                       | 2.8  | 3.1  | 3.4      | mA   |

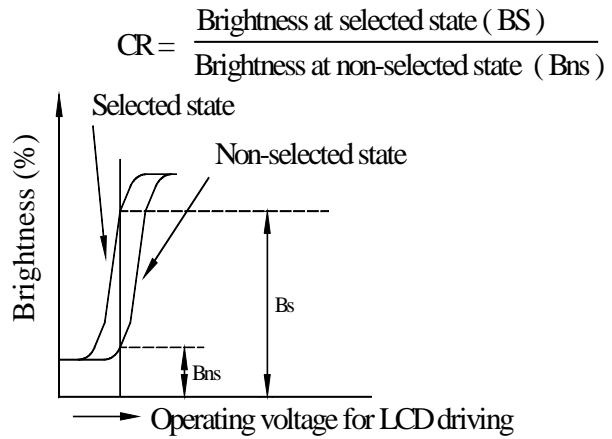
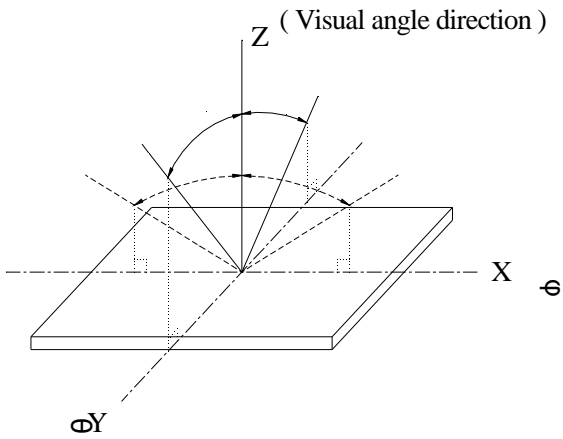
\* Note: Please design the VOP adjustment circuit on customer's main board



# 6. Optical Characteristics

| ITEM           | SYMBAL       | CONDITION   | MIN | TYP | MAX | UNIT |
|----------------|--------------|-------------|-----|-----|-----|------|
| View Angle     | (V) $\theta$ | $CR \geq 2$ | 20  | -   | 40  | deg. |
|                | (H) $\phi$   | $CR \geq 2$ | -30 | -   | 30  | deg. |
| Contrast Ratio | CR           | -           | -   | 3   | -   | -    |
| Response Time  | T rise       | -           | -   | 200 | 300 | ms   |
|                | T fall       | -           | -   | 150 | 200 | ms   |

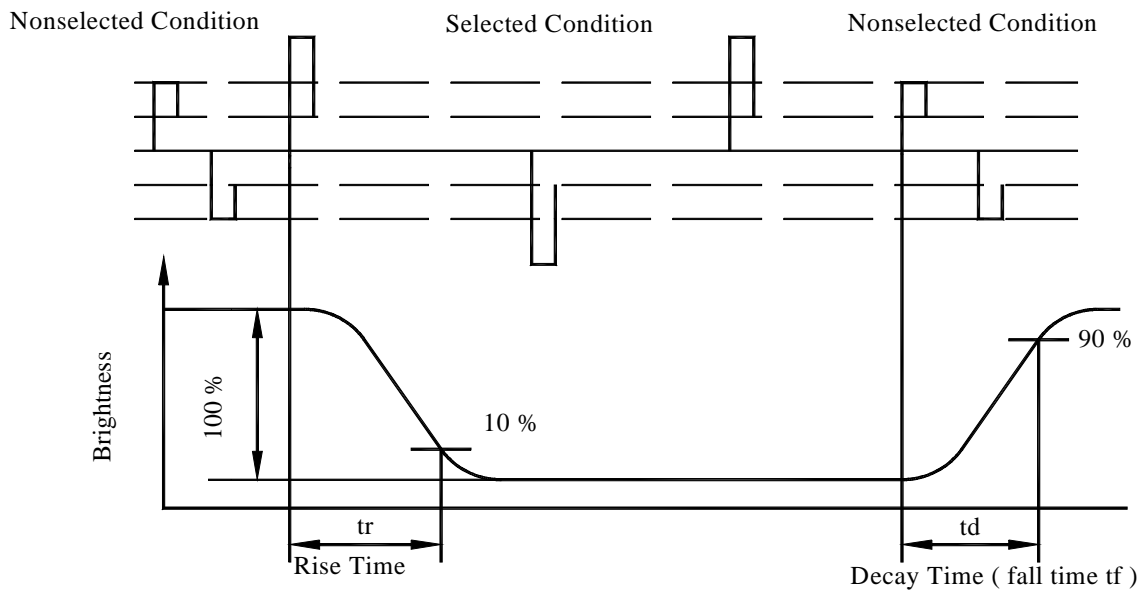
## 6.1 Definitions



### ■ View Angles

### ■ Contrast Ratio

### ■ Response time

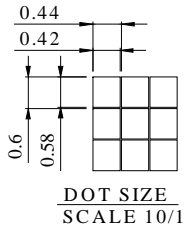
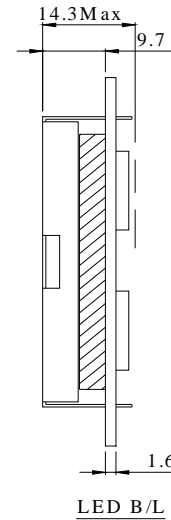
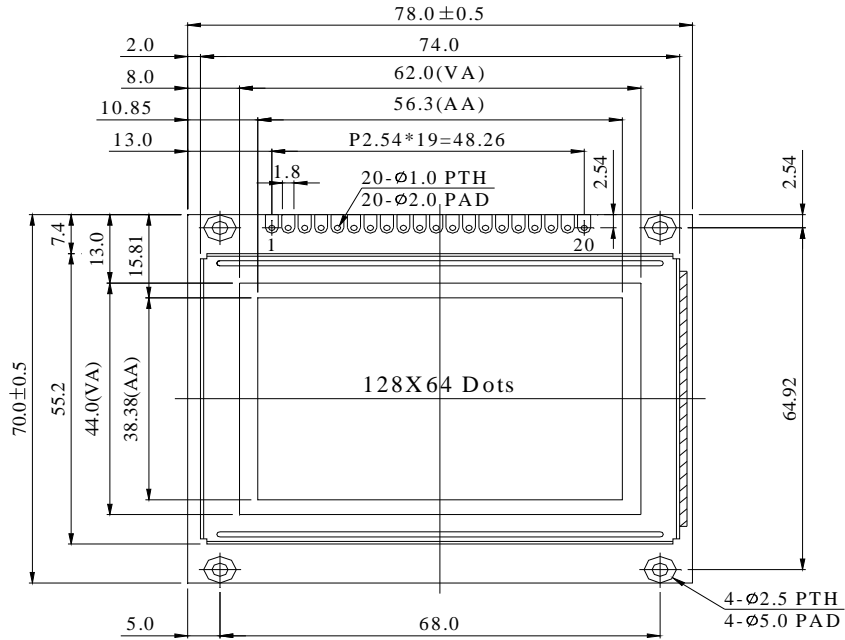




# 7.Interface Pin Function

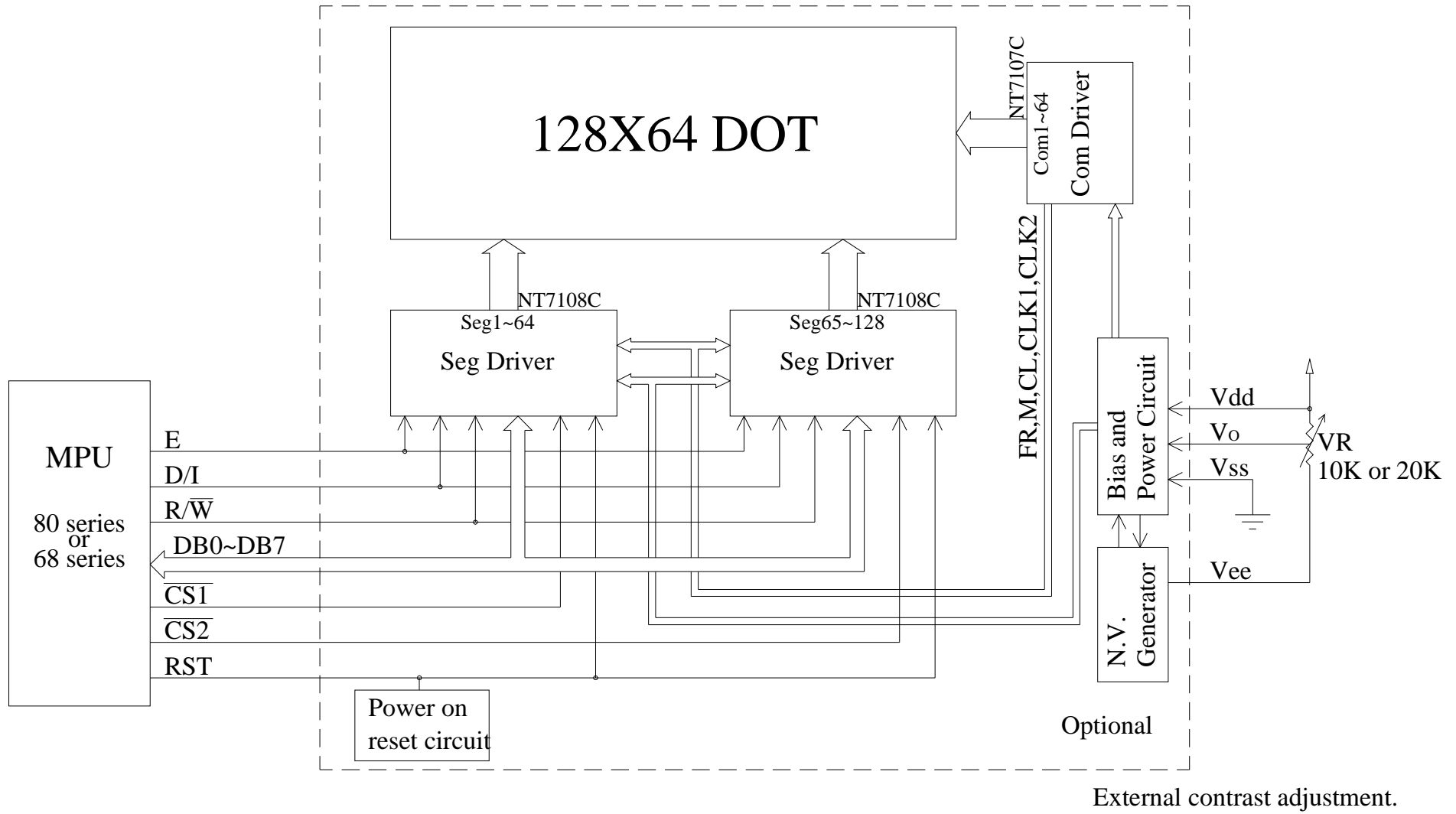
| Pin No. | Symbol           | Level      | Description                                 |
|---------|------------------|------------|---|
| 1       | $\overline{CS1}$ | L          | Select Segment 1 ~ Segment 64               |
| 2       | $\overline{CS2}$ | L          | Select Segment 65 ~ Segment128              |
| 3       | V <sub>SS</sub>  | 0V         | Ground                                      |
| 4       | V <sub>DD</sub>  | 5.0V       | Supply voltage for logic                    |
| 5       | V <sub>O</sub>   | (Variable) | Operating voltage for LCD                   |
| 6       | D/I              | H/L        | H: Data , L: Instruction                    |
| 7       | R/W              | H/L        | H: Read(MPU Module) , L :Write(MPU→ Module) |
| 8       | E                | H          | Enable signal                               |
| 9       | DB0              | H/L        | Data bus line                               |
| 10      | DB1              | H/L        | Data bus line                               |
| 11      | DB2              | H/L        | Data bus line                               |
| 12      | DB3              | H/L        | Data bus line                               |
| 13      | DB4              | H/L        | Data bus line                               |
| 14      | DB5              | H/L        | Data bus line                               |
| 15      | DB6              | H/L        | Data bus line                               |
| 16      | DB7              | H/L        | Data bus line                               |
| 17      | RST              | L          | Reset the LCM                               |
| 18      | VEE              |            | Negative Voltage Output                     |
| 19      | A                |            | Power supply for B/L(+)                     |
| 20      | K                |            | Power supply for B/L(-)                     |

# 8. Counter Drawing & Block diagram



The non-specified tolerance of dimension is ±0.3mm.

| PIN NO. | SYMBOL            |
|---------|-------------------|
| 1       | $\overline{CS1}$  |
| 2       | $\overline{CS2}$  |
| 3       | V <sub>SS</sub>   |
| 4       | V <sub>DD</sub>   |
| 5       | V <sub>o</sub>    |
| 6       | D/I               |
| 7       | R/ $\overline{W}$ |
| 8       | E                 |
| 9       | DB0               |
| 10      | DB1               |
| 11      | DB2               |
| 12      | DB3               |
| 13      | DB4               |
| 14      | DB5               |
| 15      | DB6               |
| 16      | DB7               |
| 17      | RST               |
| 18      | VEE               |
| 19      | A                 |
| 20      | K                 |

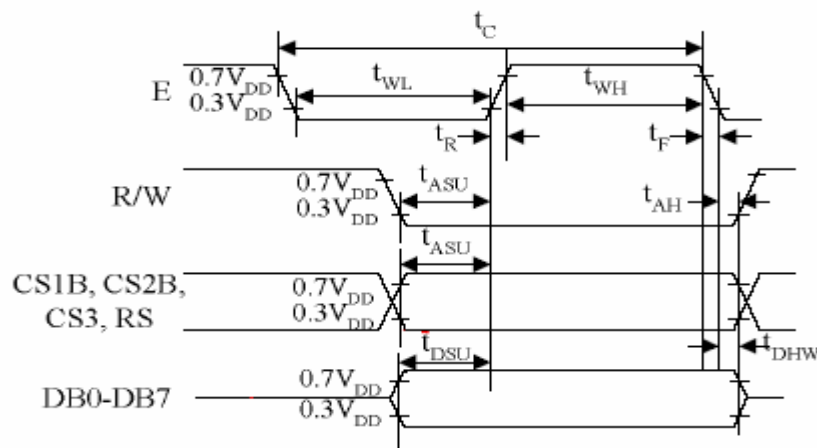


# 9. Timing Characteristics

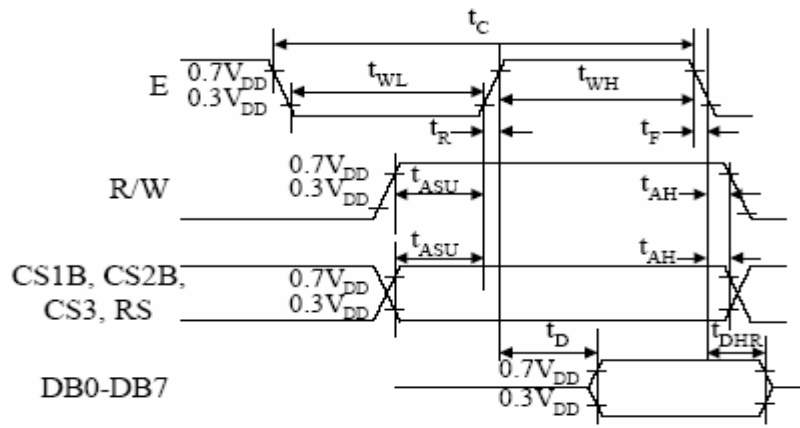
MPU Interface

(T=25°C, VDD=+5.0V±0.5)

| Characteristic         | Symbol | Min  | Typ | Max | Unit |
|------------------------|--------|------|-----|-----|------|
| E cycle                | tcyc   | 1000 | -   | -   | ns   |
| E high level width     | twhE   | 450  | -   | -   | ns   |
| E low level width      | twlE   | 450  | -   | -   | ns   |
| E rise time            | tr     | -    | -   | 25  | ns   |
| E fall time            | tf     | -    | -   | 25  | ns   |
| Address set-up time    | tas    | 140  | -   | -   | ns   |
| Address hold time      | tah    | 10   | -   | -   | ns   |
| Data set-up time       | tdsw   | 140  | -   | -   | ns   |
| Data delay time        | tddr   | -    | -   | 320 | ns   |
| Data hold time (write) | tdhw   | 10   | -   | -   | ns   |
| Data hold time (read)  | tdhr   | 20   | -   | -   | ns   |



MPU Write Timing



**MPU Read Timing**

# 10.Display Control Instruction

The display control instructions control the internal state of the NT7108. Instruction is received from MPU to NT7108 for the display control. The following table shows various instructions.

| Instruction                    | RS | R/W | DB7        | DB6 | DB5                       | DB4   | DB3 | DB2        | DB1 | DB0 | Function  |   |
|--------------------------------|----|-----|------------|-----|---------------------------|-------|-----|------------|-----|-----|---|---|
| Display on/off                 | L  | L   | L          | L   | H                         | H     | H   | H          | H   | L/H | Controls the display on or off. Internal status and display RAM data is not affected.<br>L:OFF, H:ON                      |   |
| Set address (Y address)        | L  | L   | L          | H   | Y address (0-63)          |       |     |            |     |     | Sets the Y address in the Y address counter.  |   |
| Set page (X address)           | L  | L   | H          | L   | H                         | H     | H   | Page (0-7) |     |     | Sets the X address at the X address register.   |   |
| Display Start line (Z address) | L  | L   | H          | H   | Display start line (0-63) |       |     |            |     |     | Indicates the display data RAM displayed at the top of the screen.  |   |
| Status read                    | L  | H   | Busy       | L   | On/Off                    | Reset | L   | L          | L   | L   | Read status.<br>BUSY L: Ready<br>H: In operation<br>ON/OFF L: Display ON<br>H: Display OFF<br>RESET L: Normal<br>H: Reset |   |
| Write display data             | H  | L   | Write data |     |                           |       |     |            |     |     |   | Writes data (DB0: 7) into display data RAM. After writing instruction, Y address is increased by 1 automatically. |
| Read display data              | H  | H   | Read data  |     |                           |       |     |            |     |     |   | Reads data (DB0: 7) from display data RAM to the data bus.  |

# 11.Detailed Explanation

| RS | R/W | DB7 | DB6 | DB5 | DB4 | DB3 | DB2 | DB1 | DB0 |
|----|-----|-----|-----|-----|-----|-----|-----|-----|-----|
| 0  | 0   | 0   | 0   | 1   | 1   | 1   | 1   | 1   | D   |

The display data appears when D is 1 and disappears when D is 0. Though the data is not on the screen with D=0, it remains in the display data RAM. Therefore, you can make it appear by changing D=0 into D=1.

## SET ADDRESS (Y ADDRESS)

| RS | R/W | DB7 | DB6 | DB5 | DB4 | DB3 | DB2 | DB1 | DB0 |
|----|-----|-----|-----|-----|-----|-----|-----|-----|-----|
| 0  | 0   | 0   | 1   | AC5 | AC4 | AC3 | AC2 | AC1 | AC0 |

Y address (AC0-AC5) of the display data RAM is set in the Y address counter. An address is set by instruction and increased by 1 automatically by read or write operations of display data.

## SET PAGE (X ADDRESS)

| RS | R/W | DB7 | DB6 | DB5 | DB4 | DB3 | DB2 | DB1 | DB0 |
|----|-----|-----|-----|-----|-----|-----|-----|-----|-----|
| 0  | 0   | 1   | 0   | 1   | 1   | 1   | AC2 | AC1 | AC0 |

X address (AC0-AC2) of the display data RAM is set in the X address register. Writing or reading to or from MPU is executed in this specified page until the next page is set.

## DISPLAY START LINE (Z ADDRESS)

| RS | R/W | DB7 | DB6 | DB5 | DB4 | DB3 | DB2 | DB1 | DB0 |
|----|-----|-----|-----|-----|-----|-----|-----|-----|-----|
| 0  | 0   | 1   | 1   | AC5 | AC4 | AC3 | AC2 | AC1 | AC0 |

Z address (AC0-AC5) of the display data RAM is set in the display start line register and displayed at the top of the screen. When the display duty cycle is 1/64 or others (1/32-1/64), the data of total line number of LCD screen, from the line specified by display start line instruction, is displayed.

## STATUS READ

| RS | R/W | DB7  | DB6 | DB5    | DB4   | DB3 | DB2 | DB1 | DB0 |
|----|-----|------|-----|--------|-------|-----|-----|-----|-----|
| 0  | 1   | BUSY | 0   | ON/OFF | RESET | 0   | 0   | 0   | 0   |

### BUSY

When BUSY is 1, the Chip is executing internal operation and no instructions are accepted.

When BUSY is 0, the Chip is ready to accept any instructions.

### ON/OFF

When ON/OFF is 1, the display is OFF.

When ON/OFF is 0, the display is ON.

### RESET

When RESET is 1, the system is being initialized.

In this condition, no instructions except status read can be accepted.

When RESET is 0, initializing has finished and the system is in usual operation condition.

## WRITE DISPLAY DATA

| RS | R/W | DB7 | DB6 | DB5 | DB4 | DB3 | DB2 | DB1 | DB0 |
|----|-----|-----|-----|-----|-----|-----|-----|-----|-----|
| 1  | 0   | D7  | D6  | D5  | D4  | D3  | D2  | D1  | D0  |

Writes data (D0-D7) into the display data RAM. After writing instruction, Y address is increased by 1 automatically.

## READ DISPLAY DATA

| RS | R/W | DB7 | DB6 | DB5 | DB4 | DB3 | DB2 | DB1 | DB0 |
|----|-----|-----|-----|-----|-----|-----|-----|-----|-----|
| 1  | 1   | D7  | D6  | D5  | D4  | D3  | D2  | D1  | D0  |

Reads data (D0-D7) from the display data RAM. After reading instruction, Y address is increased by 1 automatically.



# **12.RELIABILITY**

## **Content of Reliability Test (wide temperature, -20°C~70°C)**

| <b>Environmental Test</b>               |  |   |             |
|---|--|---|-------------|
| <b>Test Item</b>                        | <b>Content of Test</b>   | <b>Test Condition</b>   | <b>Note</b> |
| High Temperature storage                | Endurance test applying the high storage temperature for a long time.  | 80°C<br>200hrs  | 2           |
| Low Temperature storage                 | Endurance test applying the high storage temperature for a long time.  | -30°C<br>200hrs   | 1,2         |
| High Temperature Operation              | Endurance test applying the electric stress (Voltage & Current) and the thermal stress to the element for a long time.   | 70°C<br>200hrs  | —           |
| Low Temperature Operation               | Endurance test applying the electric stress under low temperature for a long time.   | -20°C<br>200hrs   | 1           |
| High Temperature/<br>Humidity Operation | The module should be allowed to stand at 60 °C,90%RH max<br>For 96hrs under no-load condition excluding the polarizer,<br>Then taking it out and drying it at normal temperature.  | 60°C,90%RH<br>96hrs   | 1,2         |
| Thermal shock resistance                | The sample should be allowed stand the following 10 cycles of operation<br><br><div style="text-align: center;"> <p style="margin: 0;">-20°C    25°C    70°C</p> <p style="margin: 0;">30min    5min    30min</p> <p style="margin: 0;">1 cycle</p> </div> | -20°C/70°C<br>10 cycles   | —           |
| Vibration test                          | Endurance test applying the vibration during transportation and using.   | Total fixed amplitude :<br>1.5mm<br>Vibration Frequency :<br>10~55Hz<br>One cycle 60 seconds to<br>3 directions of X,Y,Z<br>for Each 15 minutes | 3           |
| Static electricity test                 | Endurance test applying the electric stress to the terminal.   | VS=800V,RS=1.5k<br>CS=100pF<br>1 time   | —           |

**Note1: No dew condensation to be observed.**

**Note2: The function test shall be conducted after 4 hours storage at the normal Temperature and humidity after remove from the test chamber.**

**Note3: Vibration test will be conducted to the product itself without putting it in a container.**

# 13.Backlight Information

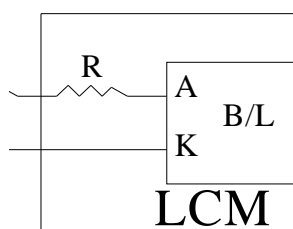
| PARAMETER                             | SYMBOL | MIN  | TYP | MAX | UNIT              | TEST CONDITION                          |
|---------------------------------------|--------|------|-----|-----|-------------------|---|
| Supply Current                        | ILED   | 57.6 | 64  | 100 | mA                | V=3.5V                                  |
| Supply Voltage                        | V      | 3.4  | 3.5 | 3.6 | V                 |   |
| Reverse Voltage                       | VR     | -    | -   | 5   | V                 |   |
| Luminous Intensity                    | IV     | 282  | 344 | -   | CD/M <sup>2</sup> | ILED=64mA                               |
| LED Life Time<br>(For Reference only) |        | -    | 50K | -   | Hr.               | ILED 64mA<br>25°C,50-60%RH,<br>(Note 1) |
| Color                                 | White  |      |     |     |                   |   |

**Note:** The LED of B/L is drive by current only, drive voltage is for reference only.

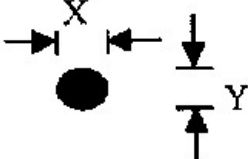
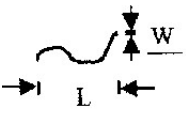
drive voltage can make driving current under safety area (current between minimum and maximum).

**Note1 :**50K hours is only a estimate for reference.

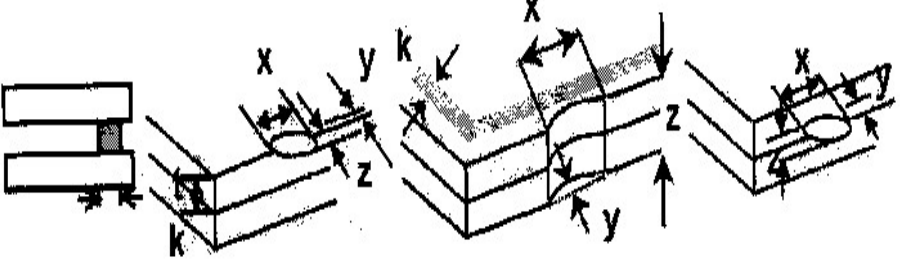
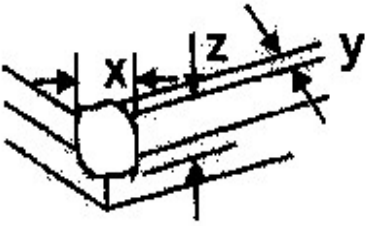
.Drive from pin19,pin20

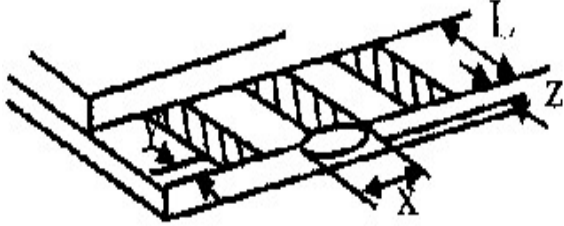
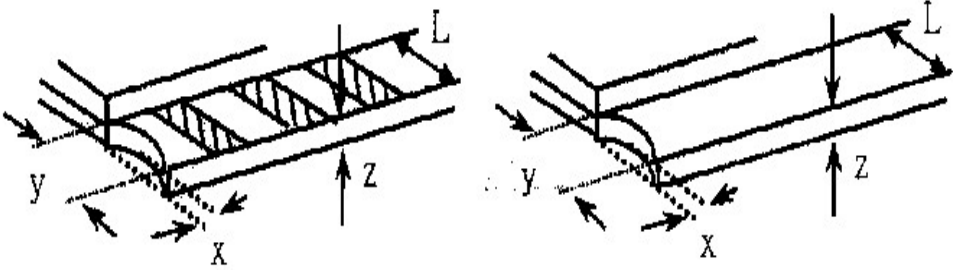


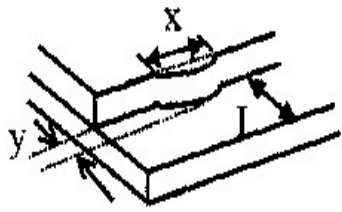
# 14. Inspection specification

| NO  | Item  | Criterion   | AQL             |     |   |                 |   |        |   |   |        |     |        |               |     |
|---|---|---|-----------------|-----|---|-----------------|---|--------|---|---|--------|-----|--------|---------------|-----|
| 01  | Electrical Testing  | 1.1 Missing vertical, horizontal segment, segment contrast defect.<br>1.2 Missing character , dot or icon.<br>1.3 Display malfunction.<br>1.4 No function or no display.<br>1.5 Current consumption exceeds product specifications.<br>1.6 LCD viewing angle defect.<br>1.7 Mixed product types.<br>1.8 Contrast defect.          | 0.65            |     |   |                 |   |        |   |   |        |     |        |               |     |
| 02  | Black or white spots on LCD (display only)                | 2.1 White and black spots on display 0.25mm, no more than three white or black spots present.<br>2.2 Densely spaced: No more than two spots or lines within 3mm   | 2.5             |     |   |                 |   |        |   |   |        |     |        |               |     |
| 03  | LCD black spots, white spots, contamination (non-display) | 3.1 Round type : As following drawing<br> <table border="1" data-bbox="874 920 1356 1429"> <tr><td></td><td></td></tr> <tr><td></td><td></td></tr> <tr><td></td><td></td></tr> <tr><td></td><td></td></tr> <tr><td></td><td></td></tr> </table> |                 |     |   |                 |   |        |   |   |        |     | 2.5    |               |     |
|   |   |   |                 |     |   |                 |   |        |   |   |        |     |        |               |     |
|   |   |   |                 |     |   |                 |   |        |   |   |        |     |        |               |     |
|   |   |   |                 |     |   |                 |   |        |   |   |        |     |        |               |     |
|   |   |   |                 |     |   |                 |   |        |   |   |        |     |        |               |     |
|   |   |   |                 |     |   |                 |   |        |   |   |        |     |        |               |     |
| 3.2 Line type : (As following drawing)<br> <table border="1" data-bbox="710 1467 1356 1733"> <thead> <tr> <th>Length</th> <th>Width</th> <th>Acceptable Q TY</th> </tr> </thead> <tbody> <tr> <td>---</td> <td>W</td> <td>Accept no dense</td> </tr> <tr> <td>L</td> <td>0.02 W</td> <td rowspan="2">2</td> </tr> <tr> <td>L</td> <td>0.03 W</td> </tr> <tr> <td>---</td> <td>0.05 W</td> <td>As round type</td> </tr> </tbody> </table> | Length  | Width   | Acceptable Q TY | --- | W | Accept no dense | L | 0.02 W | 2 | L | 0.03 W | --- | 0.05 W | As round type | 2.5 |
| Length  | Width   | Acceptable Q TY   |                 |     |   |                 |   |        |   |   |        |     |        |               |     |
| ---   | W   | Accept no dense   |                 |     |   |                 |   |        |   |   |        |     |        |               |     |
| L   | 0.02 W  | 2   |                 |     |   |                 |   |        |   |   |        |     |        |               |     |
| L   | 0.03 W  |   |                 |     |   |                 |   |        |   |   |        |     |        |               |     |
| ---   | 0.05 W  | As round type   |                 |     |   |                 |   |        |   |   |        |     |        |               |     |

|    |                      |   |            |                 |     |
|----|----------------------|---|------------|-----------------|-----|
| 04 | Polarizer<br>bubbles | If bubbles are visible,<br>judge using black spot<br>specifications, not easy<br>to find, must check in<br>specify direction. | Size       | Acceptable Q TY | 2.5 |
|    |                      |   |            | Accept no dense |     |
|    |                      |   |            | 3               |     |
|    |                      |   |            | 2               |     |
|    |                      |   |            | 0               |     |
|    |                      |   | Total Q TY | 3               |     |

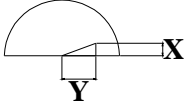
| NO  | Item          | Criterion  | AQL |     |     |  |  |  |  |  |  |     |     |     |  |  |  |  |  |  |     |
|-----|---------------|--|-----|-----|-----|--|--|--|--|--|--|-----|-----|-----|--|--|--|--|--|--|-----|
| 05  | Scratches     | Follow NO.3 LCD black spots, white spots, contamination  |     |     |     |  |  |  |  |  |  |     |     |     |  |  |  |  |  |  |     |
| 06  | Chipped glass | <p>Symbols Define:<br/> x: Chip length      y: Chip width      z: Chip thickness<br/> k: Seal width      t: Glass thickness      a: LCD side length<br/> L: Electrode pad length:</p> <p>6.1 General glass chip :<br/> 6.1.1 Chip on panel surface and crack between panels:</p>  <table border="1" data-bbox="419 898 1345 1126"> <tr> <td>: C</td> <td>: C</td> <td>: C</td> </tr> <tr> <td></td> <td></td> <td></td> </tr> <tr> <td></td> <td></td> <td></td> </tr> </table> <p>C :</p>  <table border="1" data-bbox="419 1574 1345 1803"> <tr> <td>: C</td> <td>: C</td> <td>: C</td> </tr> <tr> <td></td> <td></td> <td></td> </tr> <tr> <td></td> <td></td> <td></td> </tr> </table> | : C | : C | : C |  |  |  |  |  |  | : C | : C | : C |  |  |  |  |  |  | 2.5 |
| : C | : C           | : C  |     |     |     |  |  |  |  |  |  |     |     |     |  |  |  |  |  |  |     |
|     |               |  |     |     |     |  |  |  |  |  |  |     |     |     |  |  |  |  |  |  |     |
|     |               |  |     |     |     |  |  |  |  |  |  |     |     |     |  |  |  |  |  |  |     |
| : C | : C           | : C  |     |     |     |  |  |  |  |  |  |     |     |     |  |  |  |  |  |  |     |
|     |               |  |     |     |     |  |  |  |  |  |  |     |     |     |  |  |  |  |  |  |     |
|     |               |  |     |     |     |  |  |  |  |  |  |     |     |     |  |  |  |  |  |  |     |

| NO  | Item        | Criterion   | AQL |     |     |  |  |  |     |     |     |   |  |  |     |
|-----|-------------|---|-----|-----|-----|--|--|--|-----|-----|-----|---|--|--|-----|
| 06  | Glass crack | <p style="text-align: center;">:</p> <p>x: Chip length      y: Chip width      z: Chip thickness<br/> k: Seal width      t: Glass thickness      a: LCD side length<br/> L: Electrode pad length</p> <p>6.2 Protrusion over terminal :</p> <p>6.2.1 Chip on electrode pad :</p>  <table border="1" data-bbox="336 853 1249 1025"> <tr> <td style="text-align: center;">: C</td> <td style="text-align: center;">: C</td> <td style="text-align: center;">: C</td> </tr> <tr> <td> </td> <td> </td> <td> </td> </tr> </table> <p style="text-align: center;">-</p>  <table border="1" data-bbox="408 1424 1249 1682"> <tr> <td style="text-align: center;">: C</td> <td style="text-align: center;">: C</td> <td style="text-align: center;">: C</td> </tr> <tr> <td style="text-align: center;">L</td> <td> </td> <td> </td> </tr> </table> | : C | : C | : C |  |  |  | : C | : C | : C | L |  |  | 2.5 |
| : C | : C         | : C   |     |     |     |  |  |  |     |     |     |   |  |  |     |
|     |             |   |     |     |     |  |  |  |     |     |     |   |  |  |     |
| : C | : C         | : C   |     |     |     |  |  |  |     |     |     |   |  |  |     |
| L   |             |   |     |     |     |  |  |  |     |     |     |   |  |  |     |



|   |   |
|---|---|
| : | : |
| L |   |



| NO | Item               | Criterion  | AQL  |
|----|--------------------|--|--|
| 07 | Cracked glass      | LCD  | 2.5  |
| 08 | Backlight elements | LCD  | 0.65<br>2.5<br>0.65  |
| 09 | Bezel              |  | 2.5<br>0.65  |
| 10 | PCB COB            | <p>C</p> <p>C</p> <p>C</p> <p>The height of the COB should not exceed the height indicated in the assembly diagram.</p> <p>10.4 There may not be more than 2mm of sealant outside the seal area on the PCB. And there should be no more than three places.</p> <p>10.5 No oxidation or contamination PCB terminals.</p> <p>10.6 Parts on PCB must be the same as on the production characteristic chart. There should be no wrong parts, missing parts or excess parts.</p> <p>10.7 The jumper on the PCB should conform to the product characteristic chart.</p> <p>10.8 If solder gets on bezel tab pads, LED pad, zebra pad or screw hold pad, make sure it is smoothed down.</p> <p>10.9 The Scraping testing standard for Copper Coating of PCB</p>  <p><math>X * Y \leq 2\text{mm}^2</math></p> | 2.5<br>2.5<br>0.65<br>2.5<br>2.5<br>0.65<br>2.5<br>2.5<br>0.65 |
| 11 | Soldering          | -  | 2.5<br>2.5<br>2.5<br>0.65                                      |

| NO | Item               | Criterion | AQL  |
|----|--------------------|-----------|------|
| 12 | General appearance |           | 2.5  |
|    |                    | L C       |      |
|    |                    | L C       | 0.65 |
|    |                    |           | 2.5  |
|    |                    |           | 2.5  |
|    |                    | C C       | 2.5  |
|    |                    |           |      |
|    |                    |           | 2.5  |
|    |                    |           | 2.5  |
|    |                    |           | 0.65 |
|    |                    |           | 0.65 |
|    |                    | LCD       | 0.65 |



# 15. Material List of Components for RoHS

1. WINSTAR Display Co., Ltd hereby declares that all of or part of products (with the mark “#”in code), including, but not limited to, the LCM, accessories or packages, manufactured and/or delivered to your company (including your subsidiaries and affiliated company) directly or indirectly by our company (including our subsidiaries or affiliated companies) do not intentionally contain any of the substances listed in all applicable EU directives and regulations, including the following substances.

Exhibit A : The Harmful Material List

| Material   | (Cd)    | (Pb)     | (Hg)     | (Cr6+)   | PBBs     | PBDEs    |
|--|---------|----------|----------|----------|----------|----------|
| Limited Value                                    | 100 ppm | 1000 ppm | 1000 ppm | 1000 ppm | 1000 ppm | 1000 ppm |
| Above limited value is set up according to RoHS. |         |          |          |          |          |          |

2.Process for RoHS requirement :

(1) Use the Sn/Ag/Cu soldering surface the surface of Pb-free solder is rougher than we used before.

(2) Heat-resistance temp. :

Reflow : 250□,30 seconds Max.

Connector soldering wave or hand soldering : 320□, 10 seconds max.

(3) Temp. curve of reflow, max. Temp. : 235±5□

Recommended customer’s soldering temp. of connector : 280□, 3 seconds.





Module Number : \_\_\_\_\_

Page: 1

**1 Panel Specification :**

- 1. Panel Type : Pass NG , \_\_\_\_\_
- 2. View Direction : Pass NG , \_\_\_\_\_
- 3. Numbers of Dots : Pass NG , \_\_\_\_\_
- 4. View Area : Pass NG , \_\_\_\_\_
- 5. Active Area : Pass NG , \_\_\_\_\_
- 6. Operating Temperature : Pass NG , \_\_\_\_\_
- 7. Storage Temperature : Pass NG , \_\_\_\_\_
- 8. Others : \_\_\_\_\_

**2 Mechanical Specification :**

- 1. PCB Size : Pass NG , \_\_\_\_\_
- 2. Frame Size : Pass NG , \_\_\_\_\_
- 3. Material of Frame : Pass NG , \_\_\_\_\_
- 4. Connector Position : Pass NG , \_\_\_\_\_
- 5. Fix Hole Position : Pass NG , \_\_\_\_\_
- 6. Backlight Position : Pass NG , \_\_\_\_\_
- 7. Thickness of PCB : Pass NG , \_\_\_\_\_
- 8. Height of Frame to PCB : Pass NG , \_\_\_\_\_
- 9. Height of Module : Pass NG , \_\_\_\_\_
- 10. Others : Pass NG , \_\_\_\_\_

**3 Relative Hole Size :**

- 1. Pitch of Connector : Pass NG , \_\_\_\_\_
- 2. Hole size of Connector : Pass NG , \_\_\_\_\_
- 3. Mounting Hole size : Pass NG , \_\_\_\_\_
- 4. Mounting Hole Type : Pass NG , \_\_\_\_\_
- 5. Others : Pass NG , \_\_\_\_\_

**4 Backlight Specification :**

- 1. B/L Type : Pass NG , \_\_\_\_\_
- 2. B/L Color : Pass NG , \_\_\_\_\_
- 3. B/L Driving Voltage (Reference for LED Type) : Pass NG , \_\_\_\_\_
- 4. B/L Driving Current : Pass NG , \_\_\_\_\_
- 5. Brightness of B/L : Pass NG , \_\_\_\_\_
- 6. B/L Solder Method : Pass NG , \_\_\_\_\_
- 7. Others : Pass NG , \_\_\_\_\_

**Go to page 2**

Module Number : \_\_\_\_\_

Page: 2

**5 Electronic Characteristics of Module :**

- |                              |      |            |
|------------------------------|------|------------|
| 1. Input Voltage :           | Pass | NG , _____ |
| 2. Supply Current :          | Pass | NG , _____ |
| 3. Driving Voltage for LCD : | Pass | NG , _____ |
| 4. Contrast for LCD :        | Pass | NG , _____ |
| 5. B/L Driving Method :      | Pass | NG , _____ |
| 6. Negative Voltage Output : | Pass | NG , _____ |
| 7. Interface Function :      | Pass | NG , _____ |
| 8. LCD Uniformity :          | Pass | NG , _____ |
| 9. ESD test :                | Pass | NG , _____ |
| 10. Others :                 | Pass | NG , _____ |

**6 Summary :**

Sales signature : \_\_\_\_\_

Customer Signature : \_\_\_\_\_

Date : \_\_\_\_ / \_\_\_\_ / \_\_\_\_