

80mm sq.

San Ace 80WF

25mm thick (9WF type)



DC
Oil Proof Fan 60mm/80mm

General Specifications

- Material: Frame: Plastics (Flammability: UL94V-0), Impeller: Plastics (Flammability: UL94V-0)
- Expected Life: Refer to specifications (L10:Survival rate: 90% at 60°C, rated voltage, and continuously run in a free air state)
- Lead Wire: ⊕red ⊖black (Sensor) yellow
- Storage Temperature: -30°C to +70°C (Non-condensing)

The product can be used in an oil mist environment*

*Environment where machining oil mist is scattered.
Usage of this product requires an evaluation with the oil that will be used.

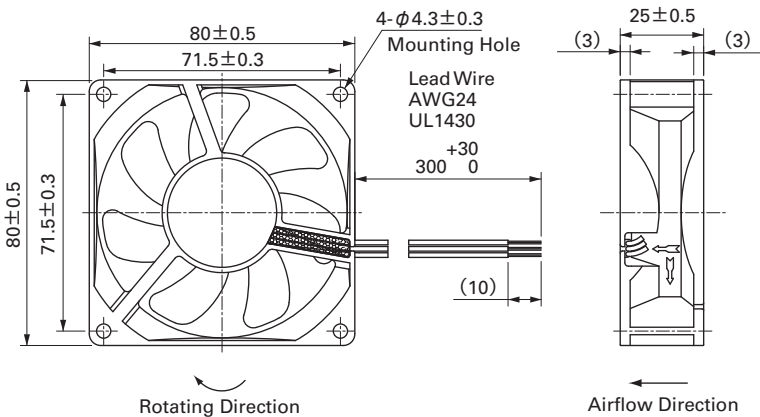
80×80×25mm (Mass : 130g) 9WF type

Specifications The following nos. have pulse sensors and ribs.

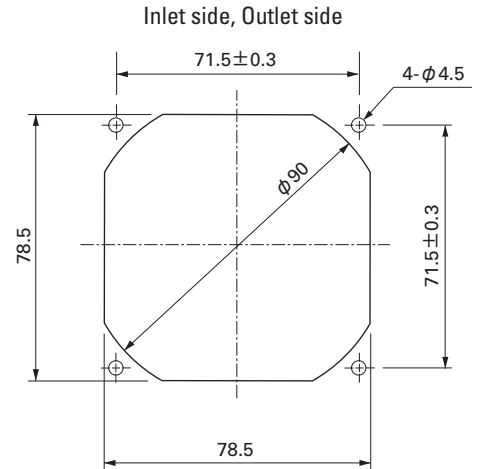
Model No.	Rated Voltage [V]	Operating Voltage Range [V]	Rated Current [A]	Rated Input [W]	Rated Speed [min ⁻¹]	Max. Airflow [m ³ /min] [CFM]	Max. Static Pressure [Pa] [inchH ₂ O]	SPL [dB(A)]	Operating Temperature [°C]	Expected Life [h]
9WF0824S401	24	20.4 to 27.6	0.16	3.84	4,000	1.2 42.4	58 0.23	38	-20 to +70	40,000

Some models can also be equipped without sensors as an option. Please refer to the index (pp. 417 to 437).

Dimensions (unit : mm)



Reference dimension of mounting holes and vent opening (unit : mm)

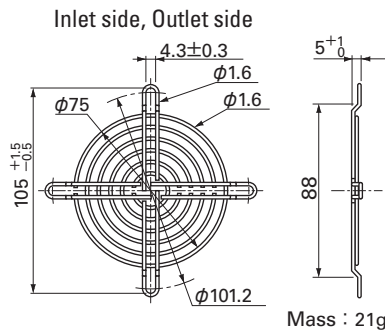
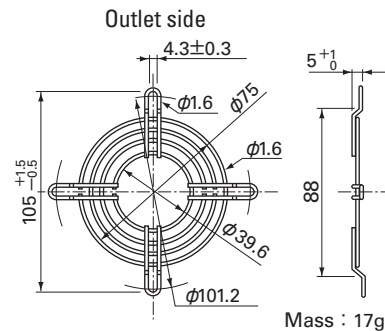


Options (unit : mm)

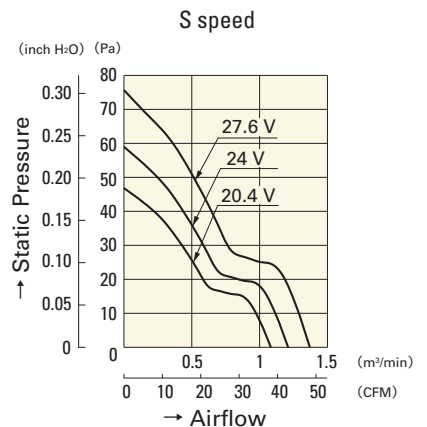
Finger Guards

Model : 109-049C Surface treatment : Nickel-chrome plating (silver) Color (silver)

Model : 109-049E Surface treatment : Nickel-chrome plating (silver) Color (silver)
: 109-049H Surface treatment : Cation electropainting (black) Color (black)



Airflow - Static Pressure Characteristics



9WF0824S401