

60mm sq.

San Ace 60

- 15mm thick (9GA type), 15mm thick (9P type)
- 20mm thick (9GA type), 20mm thick (9P type)
- 25mm thick (9S type), 25mm thick (9G type)
- 25mm thick (9R type), 25mm thick (San Cooler) (9A type)
- 38mm thick (9GA type), 38mm thick (9GV type)
- 38mm thick (9G type)



General Specifications

- Material Frame: Plastics (Flammability: UL94V-0), Impeller: Plastics (Flammability: UL94V-0)
- Expected Life Refer to specifications (L10:Survival rate:90% at 60°C, rated voltage, and continuously run in a free air state)
- Lead Wire ⊕red ⊖black or blue (Sensor) yellow
- Storage Temperature -30°C to +70°C (Non-condensing)

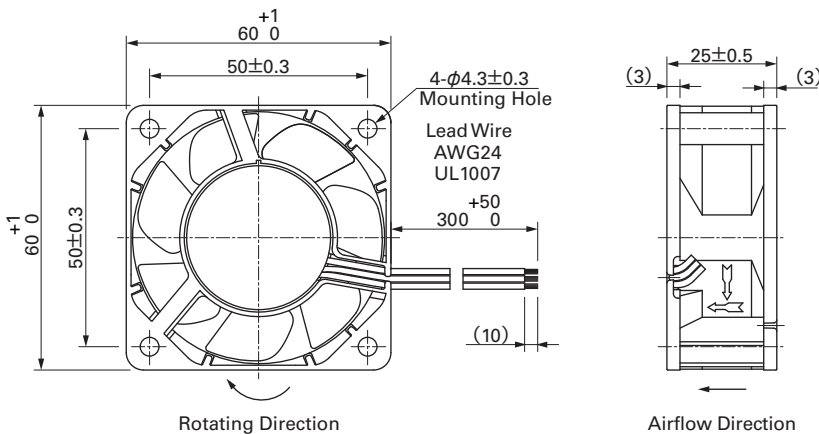
60×60×25mm [Mass : 80g] **9Atype** **San Cooler**

Specifications The following nos. **have pulse sensors and ribs.** For ribless, append "1" to the model no.

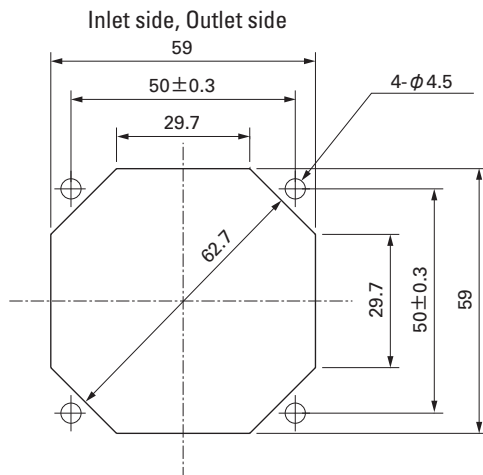
| Model No. | Rated Voltage [V] | Operating Voltage Range [V] | Rated Current [A] | Rated Input [W] | Rated Speed [min ⁻¹] | Max. Airflow [m ³ /min] [CFM] | Max. Static Pressure [Pa] [inchH ₂ O] | SPL [dB(A)] | Operating Temperature [°C] | Expected Life [h] | | |
|------------|-------------------|-----------------------------|-------------------|-----------------|----------------------------------|--|--|-------------|----------------------------|-------------------|------------|--------|
| 9A0612G401 | 12 | 6 to 13.2 | 0.24 | 2.88 | 5,600 | 0.78 27.6 | 87.3 0.351 | 39 | -20 to +60 | 30,000 | | |
| 9A0612S401 | | | 0.17 | 2.04 | 4,600 | 0.65 23.0 | 56.8 0.228 | 33 | | | | |
| 9A0612H401 | | 6 to 13.8 | 0.11 | 1.32 | 3,800 | 0.53 18.7 | 40.2 0.161 | 28 | | | -20 to +70 | 40,000 |
| 9A0612F401 | | | 0.09 | 1.08 | 3,200 | 0.44 15.5 | 29.4 0.118 | 24 | | | | |
| 9A0612M401 | | | 0.06 | 0.72 | 2,600 | 0.36 12.7 | 19.6 0.079 | 20 | | | | |
| 9A0624G401 | 24 | 12 to 27.6 | 0.13 | 3.12 | 5,600 | 0.78 27.6 | 87.3 0.351 | 39 | -20 to +60 | 30,000 | | |
| 9A0624S401 | | | 0.08 | 1.92 | 4,600 | 0.65 23.0 | 56.8 0.228 | 33 | | | | |
| 9A0624H401 | | 12 to 27.6 | 0.06 | 1.44 | 3,800 | 0.53 18.7 | 40.2 0.161 | 28 | | | -20 to +70 | 40,000 |
| 9A0624F401 | | | 0.05 | 1.2 | 3,200 | 0.44 15.5 | 29.4 0.118 | 24 | | | | |
| 9A0624M401 | | | 0.04 | 0.96 | 2,600 | 0.36 12.7 | 19.6 0.079 | 20 | | | | |

Some models can also be equipped without sensors or with PWM control functions as an option. Please refer to the index (pp. 417 to 437).

Dimensions (unit : mm) (With ribs)



Reference Dimension of Mounting Holes and Vent Opening (unit : mm)

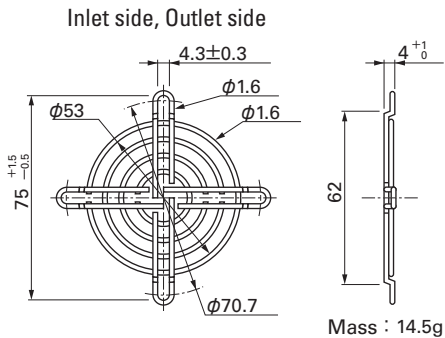


Options (unit : mm)

Finger Guards

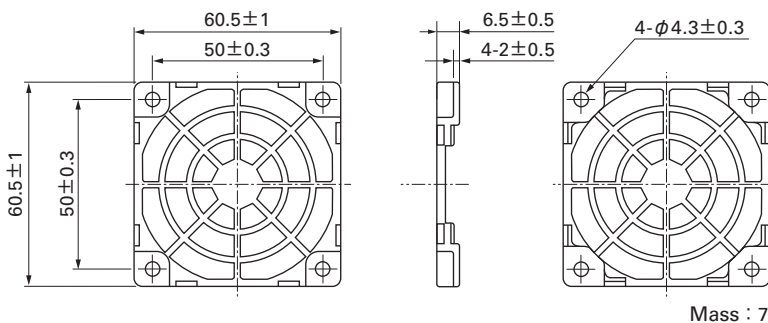
Model : 109-139E Surface treatment : Nickel-chrome plating (silver)
 : 109-139H : Cation electropainting (black)

Color



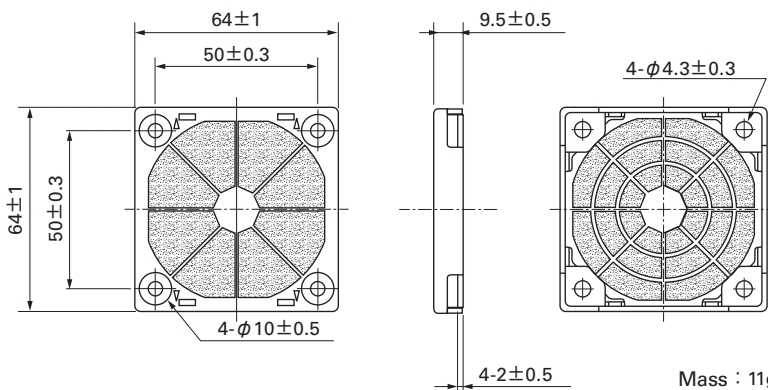
Resin Finger Guards

Model : 109-1003G

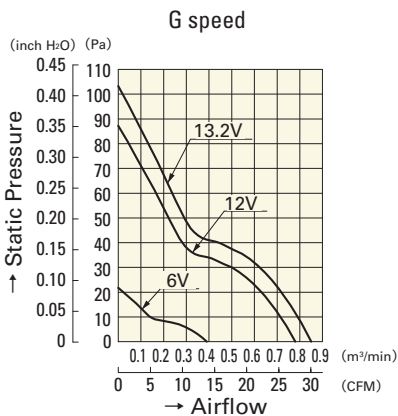


Resin Filter Kits

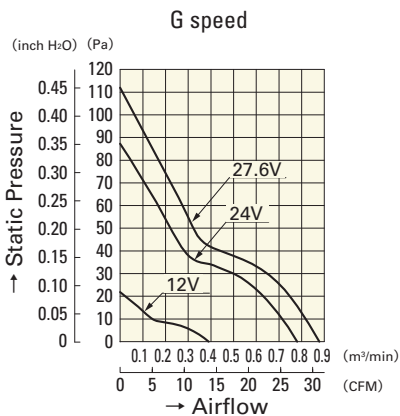
Model : 109-1003F13 (13PPI), 109-1003F20 (20PPI)
 : 109-1003F30 (30PPI), 109-1003F40 (40PPI)



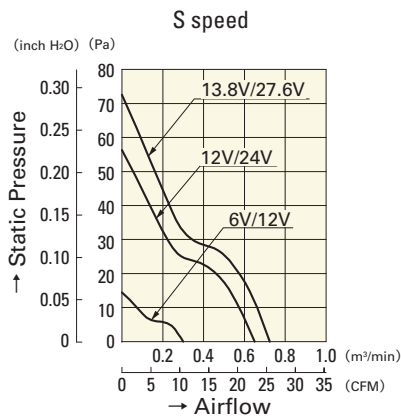
Airflow - Static Pressure Characteristics



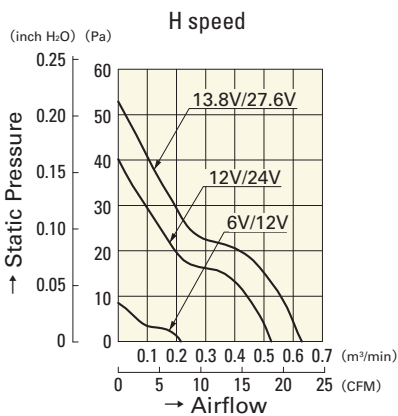
9A0612G401



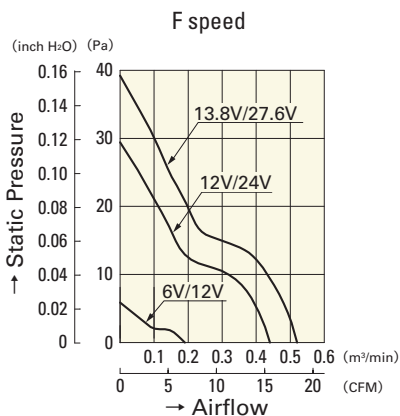
9A0624G401



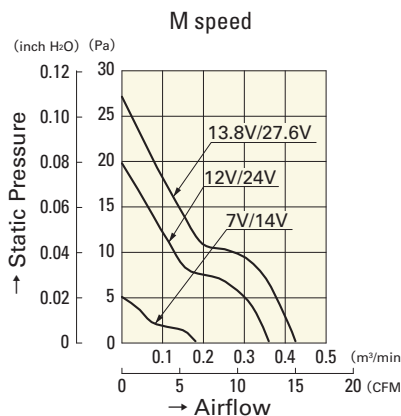
9A0612S401
9A0624S401



9A0612H401
9A0624H401



9A0612F401
9A0624F401



9A0612M401
9A0624M401