

120mm sq.

San Ace 120W

38mm thick (9WV type), 38mm thick (9WP type)
38mm thick (9WG type), 38mm thick (9WS type)



General Specifications

- Material Frame: Aluminum,
Impeller: Plastics (Flammability: UL94V-1)
- Expected Life Refer to specifications (Indoor, L10:Survival rate: 90% at 60°C, rated voltage, and continuously run in a free air state)
- Lead Wire ⊕red ⊖black or blue (Sensor) yellow
- Storage Temperature -30°C to +70°C (Non-condensing)

120×120×38mm (Mass : 410g) **IP 55** **9WG type**

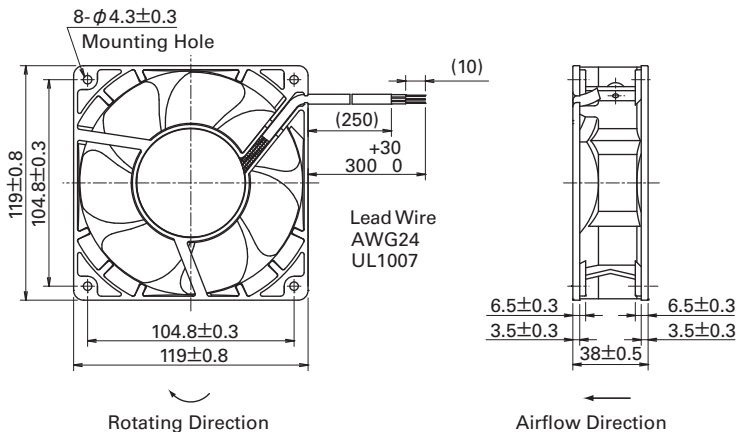
Specifications

The following nos. have pulse sensors.

Model No.	Rated Voltage [V]	Operating Voltage Range [V]	Rated Current [A]	Rated Input [W]	Rated Speed [min ⁻¹]	Max. Airflow [m ³ /min] [CFM]	Max. Static Pressure [Pa] [inchH ₂ O]	SPL [dB(A)]	Operating Temperature [°C]	Expected Life [h]	
9WG1212G101-E	12	10.2 to 13.8	0.98	11.76	3,600	3.88 137	135 0.542	49	- 20 to + 70	80,000	
9WG1212E101-E			0.61	7.32	3,100	3.34 118	100 0.402	46			
9WG1212H101-E		7 to 13.8	0.38	4.56	2,600	2.80 99	70.4 0.283	39		100,000	
9WG1212F101-E			0.28	3.36	2,280	2.45 87	54.2 0.218	36			
9WG1212M101-E			0.21	2.52	1,950	2.10 74	39.6 0.159	32			
9WG1224G101-E	24	20.4 to 27.6	0.50	12	3,600	3.88 137	135 0.542	49		- 20 to + 70	80,000
9WG1224E101-E			0.34	8.16	3,100	3.34 118	100 0.402	46			
9WG1224H101-E		14 to 27.6	0.22	5.28	2,600	2.80 99	70.4 0.283	39			100,000
9WG1224F101-E			0.16	3.84	2,280	2.45 87	54.2 0.218	36			
9WG1224M101-E			0.11	2.64	1,950	2.10 74	39.6 0.159	32			
9WG1248G101-E	48	40.8 to 55.2	0.25	12	3,600	3.88 137	135 0.542	49	- 20 to + 70		80,000
9WG1248E101-E			0.17	8.16	3,100	3.34 118	100 0.402	46			
9WG1248H101-E			0.11	5.28	2,600	2.80 99	70.4 0.283	39			100,000
9WG1248F101-E			0.09	4.32	2,280	2.45 87	54.2 0.218	36			
9WG1248M101-E			0.07	3.36	1,950	2.10 74	39.6 0.159	32			

Some models can also be equipped without sensors as an option. Please refer to the index (pp. 417 to 437).

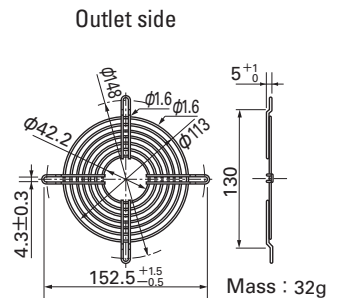
Dimensions (unit : mm)



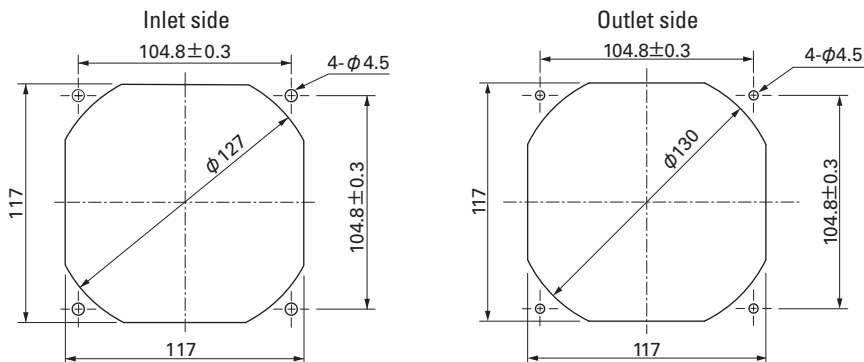
Options (unit : mm)

Finger Guards

Model : 109-019C Surface treatment : Nickel-chrome plating (silver) Color (silver)
: 109-019H : Cation electropainting (black)

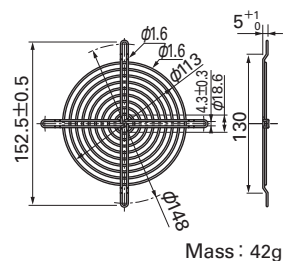


Reference Dimension of Mounting Holes and Vent Opening (unit : mm)



Model : 109-019E Surface treatment : Nickel-chrome plating (silver) Color (silver)
: 109-019K : Cation electropainting (black)

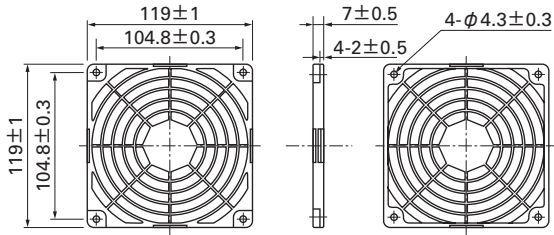
Inlet side, Outlet side



Options (unit : mm)

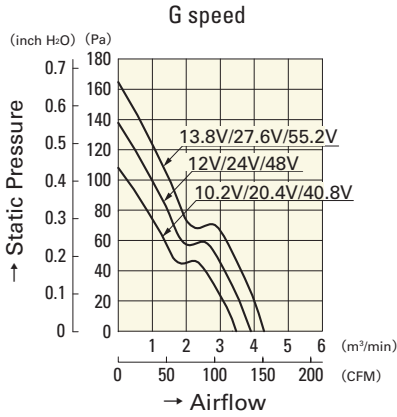
Resin Finger Guards

Model : 109-1000G

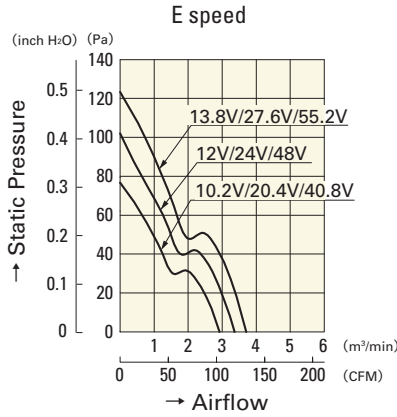


Mass : 23g

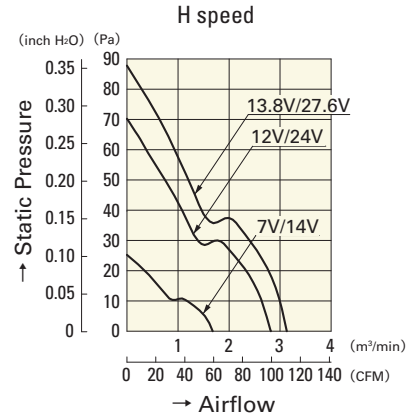
Airflow - Static Pressure Characteristics



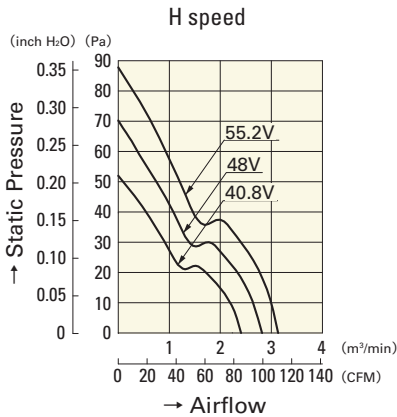
9WG1212G101-E
9WG1224G101-E
9WG1248G101-E



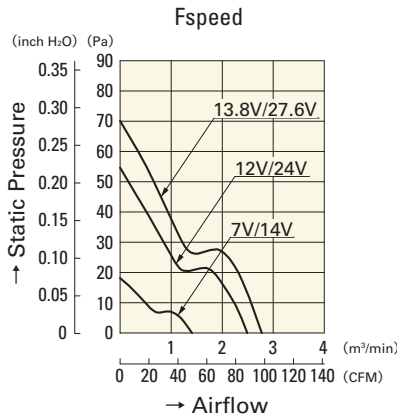
9WG1212E101-E
9WG1224E101-E
9WG1248E101-E



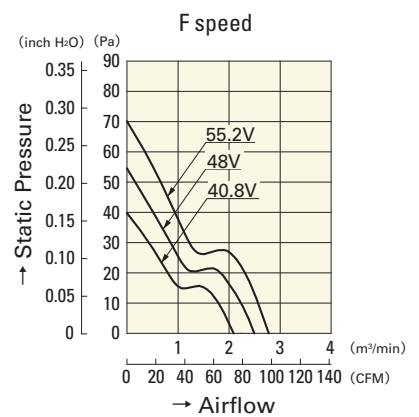
9WG1212H101-E
9WG1224H101-E



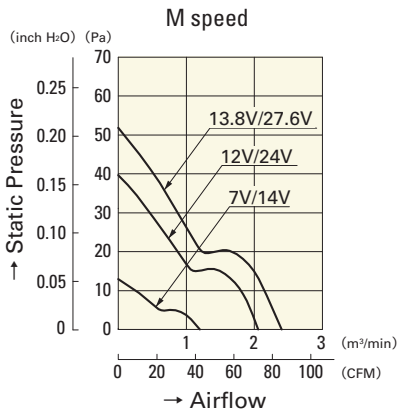
9WG1248H101-E



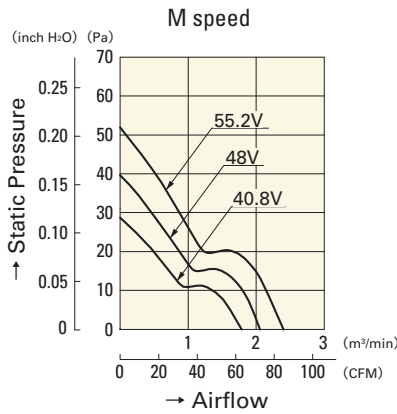
9WG1212F101-E
9WG1224F101-E



9WG1248F101-E



9WG1212M101-E
9WG1224M101-E



9WG1248M101-E