

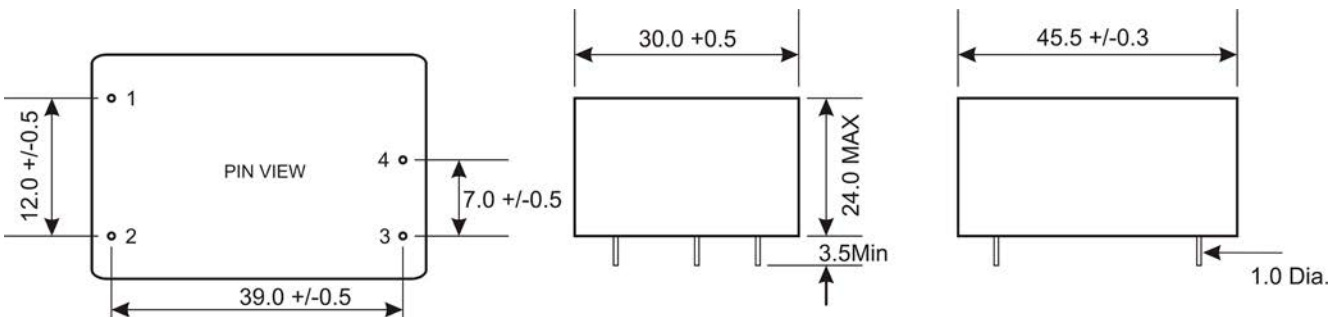


Features:

- 10W Miniature Size - PCB Mount
- Single Output - Regulated
- Output Range: 3.3V - 48VDC
- Input: 90 - 265VAC , 47 - 63Hz (100 - 370VDC)
- Low Standby Power <0.3W
- Low Ripple & Noise (Built in filter network)
- Encapsulated Design
- Fully Isolated Pri - Sec >4200Vrms
- Insulation: Class II
- Materials: UL94-V0
- Safety: EN61558, EN60950, CE, TUV

Part Number	Power Rating Watts	Output Voltage (VDC)	Output Current (mA)	Ambient Temp. (°C)	Efficiency Typical	Input Range
VTX-214-010-203	10	3.3	3000	50	>75%	90 - 265VAC (100 - 370VDC)
VTX-214-010-205	10	5	2000			
VTX-214-010-206	10	6	1666			
VTX-214-010-207	10	7.5	1333			
VTX-214-010-208	10	8	1250			
VTX-214-010-209	10	9	1111			
VTX-214-010-210	10	10	1000			
VTX-214-010-212	10	12	833			
VTX-214-010-215	10	15	666			
VTX-214-010-218	10	18	555			
VTX-214-010-224	10	24	416			
VTX-214-010-248	10	48	208			

Note: Other output voltages are available upon request.



Pin 1: Line
 Pin 2: Neutral
 Pin 3: Output DC +V
 Pin 4: Output DC 0V

Unit weight: 70g

Please contact Vigortronix for any enquiries. Products can be altered to suit custom requirements.
 The information contained in this document is subject to change without notice.

Vigortronix, 16 De Havilland Way, Witney, Oxfordshire, OX29 0YG, UK

Tel. +44 (0)1993 777570 Fax. +44 (0)1993 777580 Web. www.vigortronix.com E-mail: sales@vigortronix.com

Vigortronix is a trading name of Vigortronix (UK) Limited

Model: 10 Watt		Specification
INPUT Pin 1: L Pin 2: N	Voltage Range	90 - 264VAC / 47 - 63Hz (120VDC - 370VDC)
	Current	250mA Max (100VAC) / 150mA Max (240VAC)
	Inrush Current (<500uS)	20A Max (100VAC) / 40A Max (240VAC)
	No Load power	0.3W Max
	Leakage Current	0.3 mA Max
OUTPUT Pin 3: DC+ Pin 4: DC-	Voltage Accuracy	5%
	Ripple	<2% Output Voltage Max (Vp-p)
	Noise	<1% Vout Max (Vp-p)
	Efficiency	>75%
	Minimum Load	0
Protection	Over Power	Hiccup mode
	Over Voltage	Hiccup mode
	Short Circuit Protection	Hiccup mode
Dielectric Isolation	Input to Output	3600Vrms, 5mA 1 Min (4200VAC 2sec)
Environment	Operating Temperature	-25°C - +50°C (Full Load)
	Storage Temperature	-40°C - +105°C
	MTBF	>300,000Hrs @ 25°C (MIL-HDBK-217F)
	Weight	70g
	Humidity	20 - 95% RH
Safety	Agency Approval	EN60950-1, EN61558-1, EN61558-2-6, EN61558-2-17
EMC	EMI	Compliance with EN55022 Class B
	EMS	Compliance with EN55024, EN55014-1, EN55014-2, EN61000-3-2 Class A, EN61000-3-3

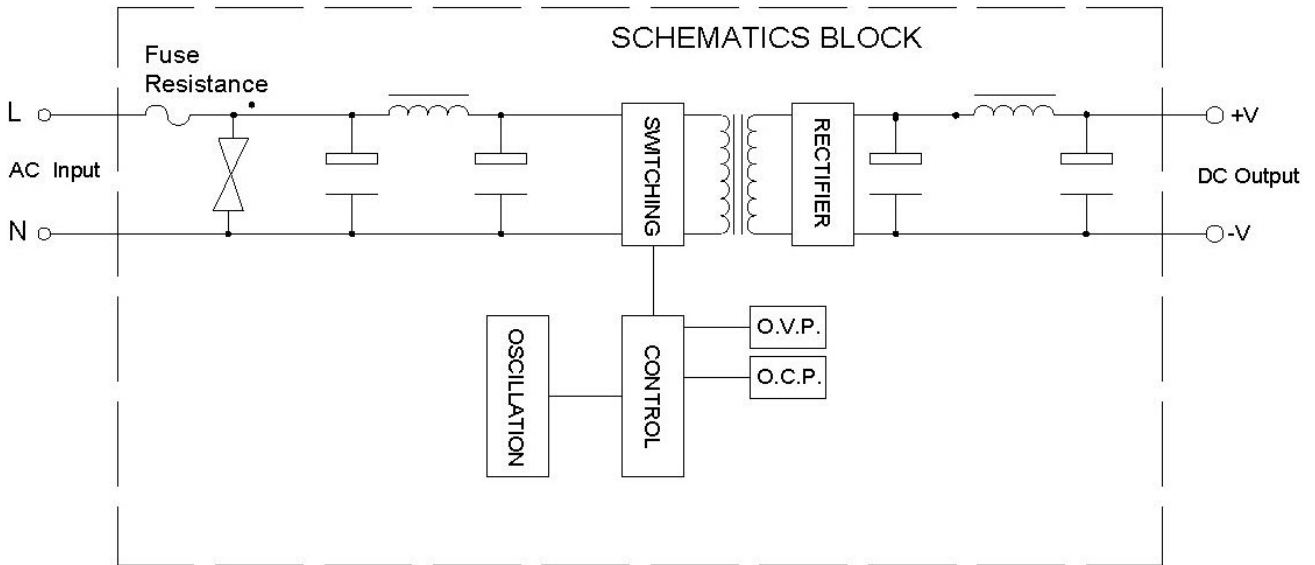
Please contact Vigortronix for any enquiries. Products can be altered to suit custom requirements.
The information contained in this document is subject to change without notice.

Vigortronix, 16 De Havilland Way, Witney, Oxfordshire, OX29 0YG, UK

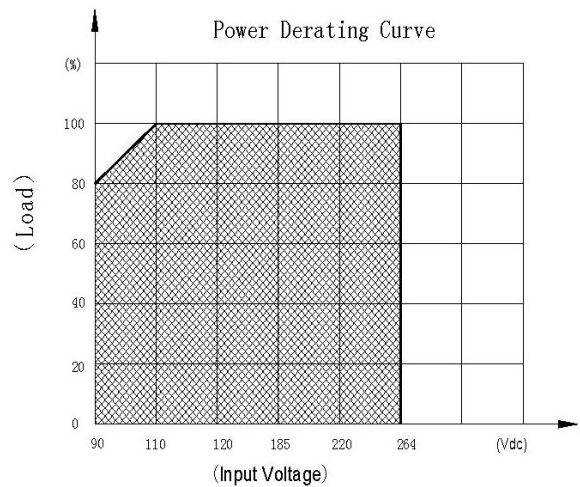
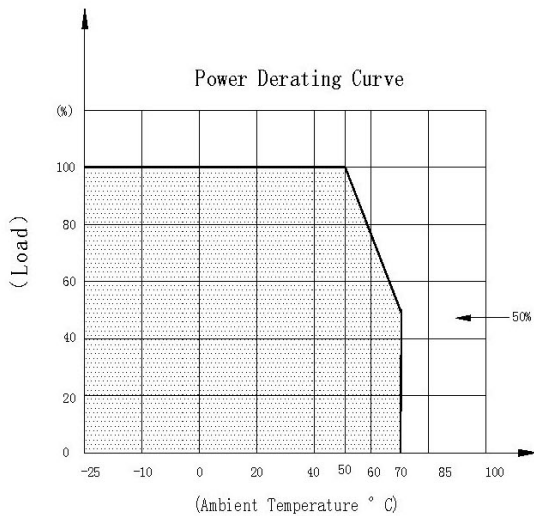
Tel. +44 (0)1993 777570 Fax. +44 (0)1993 777580 Web. www.vigortronix.com E-mail: sales@vigortronix.com

Vigortronix is a trading name of Vigortronix (UK) Limited

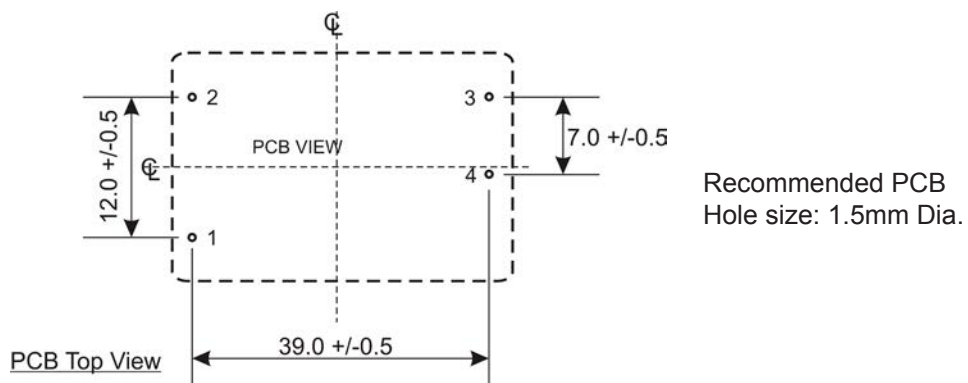
Schematic



Derating Graph



PCB Layout



Please contact Vigortronix for any enquiries. Products can be altered to suit custom requirements. The information contained in this document is subject to change without notice.

Vigortronix, 16 De Havilland Way, Witney, Oxfordshire, OX29 0YG, UK

Tel. +44 (0)1993 777570 Fax. +44 (0)1993 777580 Web. www.vigortronix.com E-mail: sales@vigortronix.com

Vigortronix is a trading name of Vigortronix (UK) Limited