

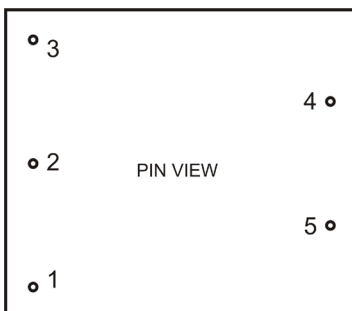


Features:

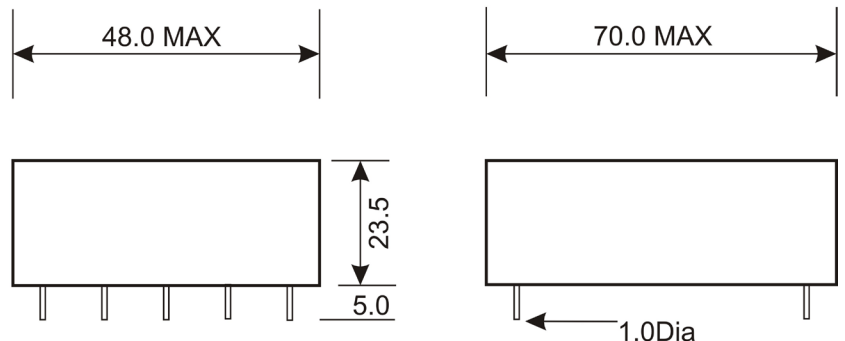
- 20W Small Compact Size
- Single Output - Regulated
- Output Range: 3.3V - 48VDC
- Input: 90 - 265VAC , 47 - 63Hz (100 - 370VDC)
- Low Standby Power <0.3W
- Low Ripple & Noise
- Encapsulated Design
- Fully Isolated Pri - Sec >4200Vrms
- Materials: UL94-V0
- Safety: EN61558, EN60950, CE

Part Number	Power Rating Watts	Output Voltage (VDC)	Output Current (mA)	Ambient Temp. (°C)	Efficiency Typical	Input Range
VTX-214-020-103	20	3.3	6000	70	80%	90 - 265VAC (100 - 370VDC)
VTX-214-020-105	20	5	4000			
VTX-214-020-106	20	6	3333			
VTX-214-020-107	20	7.5	2666			
VTX-214-020-109	20	9	2222			
VTX-214-020-112	20	12	1666			
VTX-214-020-115	20	15	1333			
VTX-214-020-118	20	18	1111			
VTX-214-020-124	20	24	833			
VTX-214-020-148	20	48	416			

Note: Other output voltages are available upon request.



Pin 1: Input FG
 Pin 2: Input AC N
 Pin 3: Input AC L
 Pin 4: Output DC +V
 Pin 5: Output GND



Unit weight: 140g

Please contact Vigortronix for any enquiries. Products can be altered to suit custom requirements.
 The information contained in this document is subject to change without notice.

Vigortronix, 16 De Havilland Way, Witney, Oxfordshire, OX29 0YG, UK

Tel. +44 (0)1993 777570 Fax. +44 (0)1993 777580 Web. www.vigortronix.com E-mail: sales@vigortronix.com

Vigortronix is a trading name of Vigortronix (UK) Limited

Model: 20 Watt		Specification
INPUT Pin 3: L Pin 2: N Pin 1: FG	Voltage Range	90 - 264VAC / 47 - 63Hz (120VDC - 370VDC)
	Current	100mA Max (100VAC) / 70mA Max (240VAC)
	Inrush Current	15A Max (100VAC) / 25A Max (240VAC)
	No Load power	0.3W Max
	Leakage Current	0.3mA Max
OUTPUT Pin 4: DC+ Pin 5: DC-	Voltage Accuracy	0.5%
	Ripple	<120mV Max (Vp-p)
	Noise	<1% Vout Max (Vp-p)
	Efficiency	80%
	Minimum Load	0
Protection	Over Power	Hiccup mode
	Over Voltage	Hiccup mode
	Short Circuit Protection	Hiccup mode
Dielectric Isolation	Input to Output	3600Vrms, 5mA 1 Min (4200VAC 2sec)
Environment	Operating Temperature	-25°C - +70°C (Full Load)
	Storage Temperature	-40°C - +105°C
	Humidity	10 - 95% RH
	MTBF	>200,000Hrs @ 25°C (MIL-HDBK-217F)
	Weight	140g
Safety	Agency Approval	EN60950-1, EN61558-1, EN61558-2-6, EN61558-2-17
EMC	EMI	Compliance with EN55022 Class B
	EMS	Compliance with EN55024, EN55014-1, EN55014-2, EN61000-3-2 Class A, EN61000-3-3

Please contact Vigortronix for any enquiries. Products can be altered to suit custom requirements.
The information contained in this document is subject to change without notice.

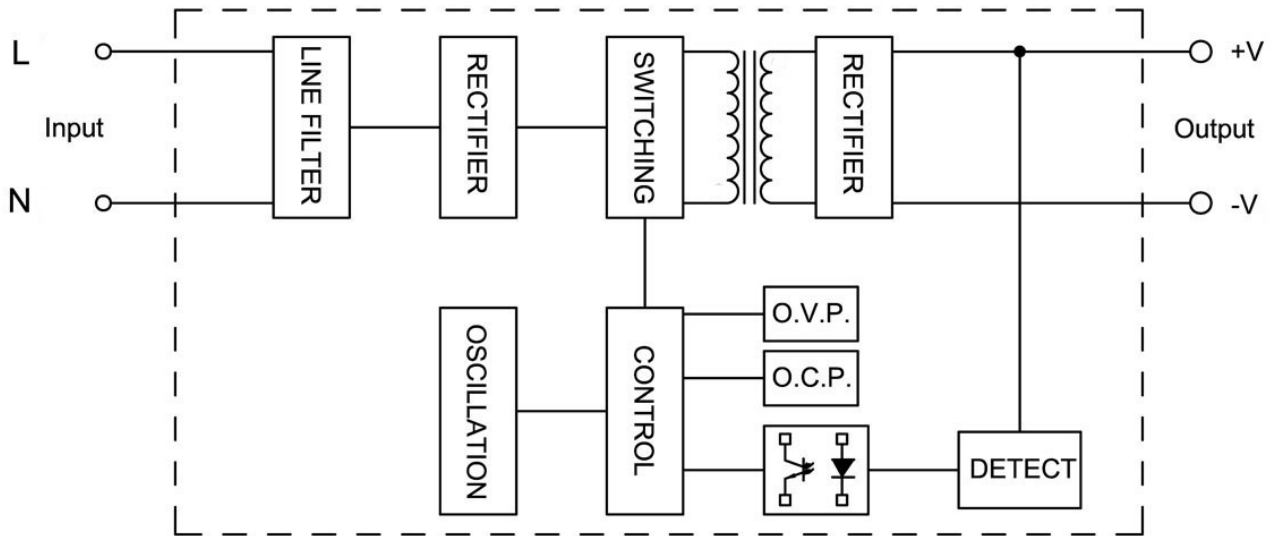
Vigortronix, 16 De Havilland Way, Witney, Oxfordshire, OX29 0YG, UK

Tel. +44 (0)1993 777570 Fax. +44 (0)1993 777580 Web. www.vigortronix.com E-mail: sales@vigortronix.com

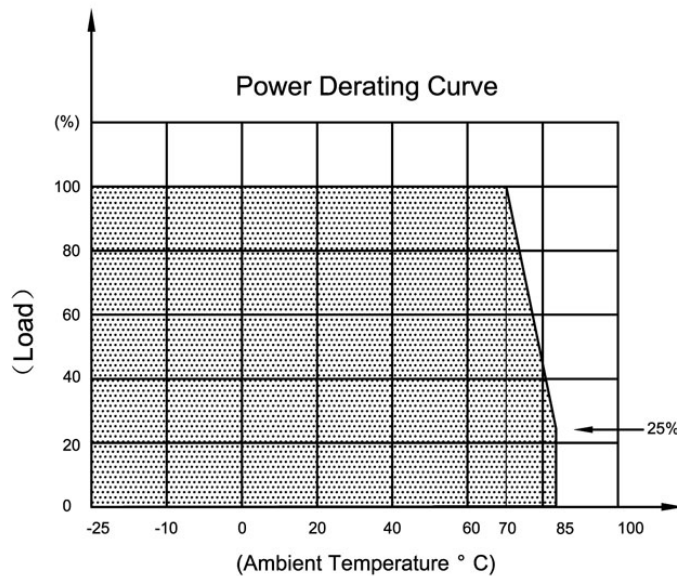
Vigortronix is a trading name of Vigortronix (UK) Limited

Vigortronix.com

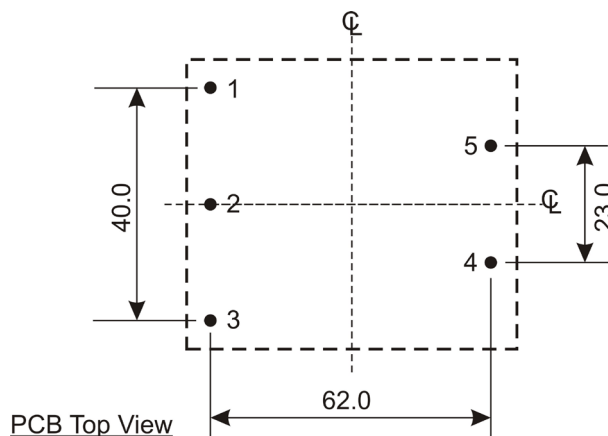
Schematic



Derating Graph



PCB Layout



Recommended PCB
Hole size: 1.5mm Dia.

- Pin 1: Input FG
- Pin 2: Input AC N
- Pin 3: Input AC L
- Pin 4: Output DC +V
- Pin 5: Output GND

Please contact Vigortronix for any enquiries. Products can be altered to suit custom requirements.
The information contained in this document is subject to change without notice.

Vigortronix, 16 De Havilland Way, Witney, Oxfordshire, OX29 0YG, UK

Tel. +44 (0)1993 777570 Fax. +44 (0)1993 777580 Web. www.vigortronix.com E-mail: sales@vigortronix.com

Vigortronix is a trading name of Vigortronix (UK) Limited