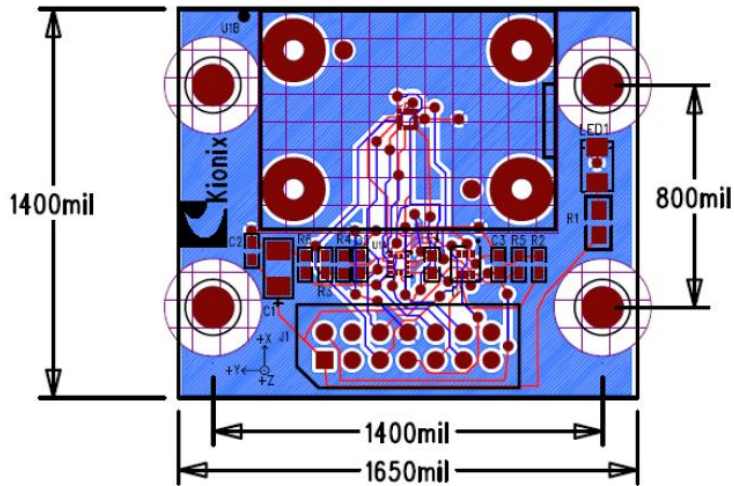


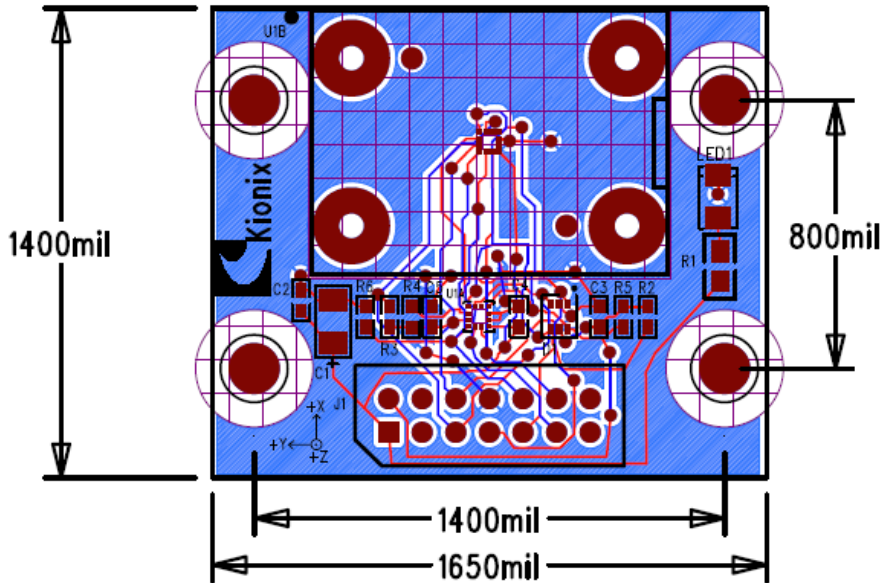
# Tri-Axis, User Selectable $\pm 2g$ , $4g$ , $8g$ , Digital (I<sup>2</sup>C/SPI) Output, Integrated FIFO/FILO buffer Evaluation Board

Part Number: EVAL-KX022-1020

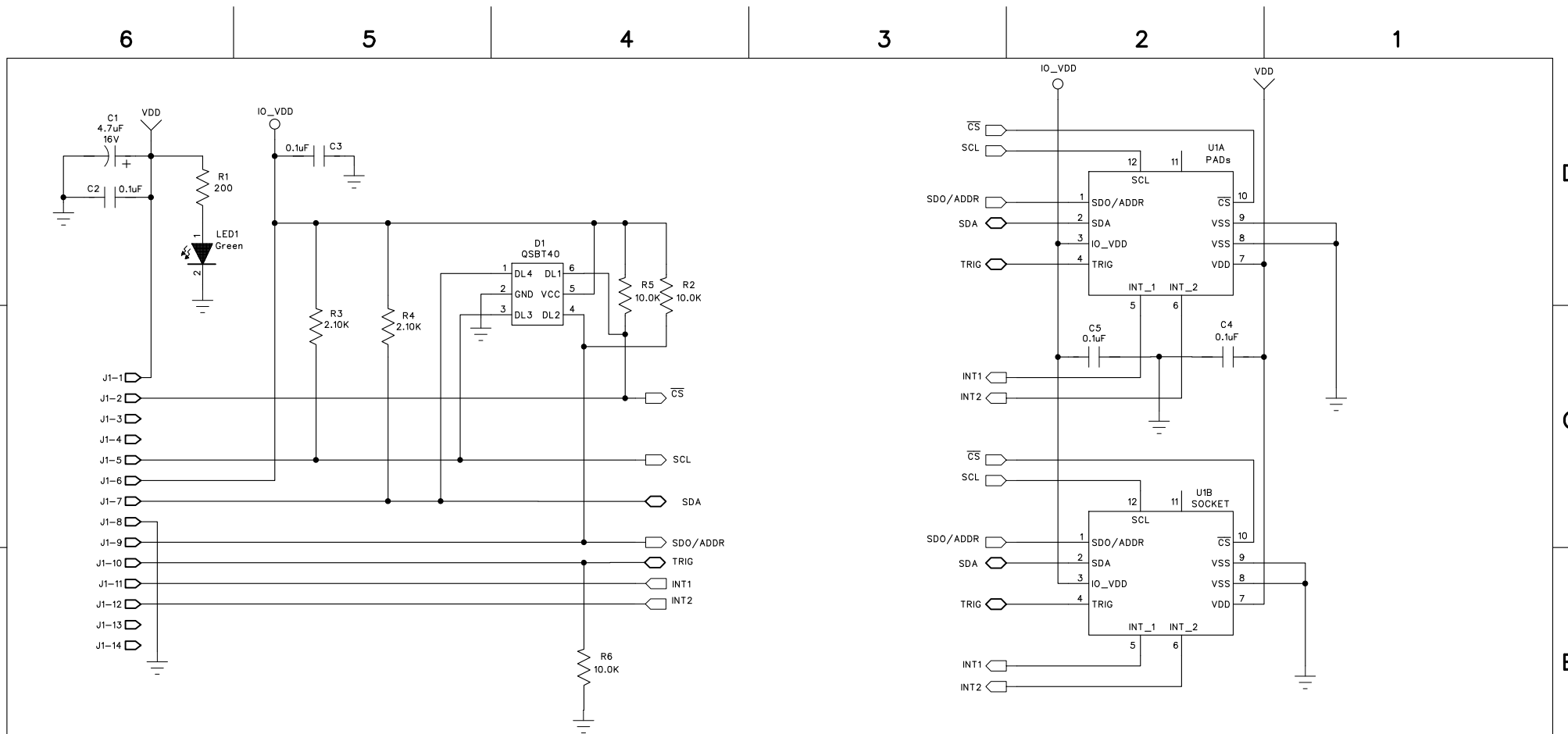


- Description: KX022-1020 Evaluation Board
- Range: 2g, 4g, 8g, User-selectable
- Sensitivity: 16384, 8192, 4096 (16-bit), (counts/g)
- Temperature (°C): -40 to +85

**PLEASE SEE THE FOLLOWING PAGES FOR THE BOARD LAYOUT AND SCHEMATIC**



J1 Connector Pin Description	
pin 1	VDD
pin 2	nCS
pin 3	DNC
pin 4	DNC
pin 5	SCL
pin 6	IO_VDD
pin 7	SDA
pin 8	GND
pin 9	SDO/ADDR
pin 10	TRIG
pin 11	INT1
pin 12	INT2
pin 13	DNC
pin 14	DNC



NOTES:

- 1) All resistors are 1%, 1/10W, 0603 unless otherwise specified.
- 2) All capacitors are 0.1uF, 10%, 50WVDC, 0603 unless otherwise specified.
- 3) U1B Socket: Loranger, SOCKET\_020SQ012J6618A
- 4) Supported devices: KX022

COMPANY:					<b>Kionix Inc.</b>									
TITLE:										<b>KX022 Evaluation Board</b>				
DRAWN:		DATED:		CODE:		SIZE:		DRAWING NO:		REV:				
Bob Ross		2/22/13		DWG856		B		KAMMDM001R56		0				
CHECKED:		DATED:		RELEASED:		DATED:		SCALE: NONE						
								SHEET: 1 OF 2						

A

A

6

5

4

3

2

1

REVISION RECORD					CHECKED BY:	DATE:
DATE:	DRAWN BY:	DESCRIPTION:				
2/22/13	Bob Ross	Initial release.			EP	10/21/2011

D

D

C

C

B

B

A

COMPANY: <b>Kionix Inc.</b>				
TITLE: <b>KX022 Evaluation Board</b>				
DRAWN: Bob Ross	DATED: 2/22/13	CODE: <b>DWG856</b>	SIZE: <b>B</b>	DRAWING NO: <b>KAMMDM001R56</b>
CHECKED:	DATED:			REV: <b>0</b>
QUALITY CONTROL:	DATED:			
RELEASED:	DATED:	SCALE: NONE	SHEET: 2 OF 2	