

RR/LRR-Series

Rounded Rocker Switches

Carling Technologies' RR and LRR-Series round rocker switches feature a unique sculpted rocker design, and electrical ratings up to 12A 125VAC, 10A 250VAC. The RR Series is available with custom imprinting, and the lighted LRR-Series can be wired to accommodate dependent or independent, illumination, neon or incandescent lamps, with red, green, amber or white translucent rockers. Installation is a snap, as this switch fits industry standard cutouts.

Applications:

- ♦ Appliance
- ♦ Vacuum Cleaners
- ♦ Office Automation
- ♦ Food Service
- ♦ Audio Visual
- ♦ Test & Measurement

Resources:

Download 3D CAD Files

[IGS >](#) [STP >](#)



Carling Technologies™

Innovative Designs. Powerful Solutions.

Carling Technologies, Inc.
60 Johnson Avenue, Plainville, CT 06062
Email: sales@carlingtech.com
Application Support: team2@carlingtech.com
Phone: (860) 793-9281 • Fax: (860) 793-9231
www.carlingtech.com

Dielectric Strength

UL/CUL:
1000V-live to dead metal parts
& opposite polarity

Electrical Life

50,000 cycles

Mechanical Life

100,000 cycles

Operating Temperature

32°F to 185°F (0°C to 85°C)



1 SERIES²
RR Rocker **LRR** Lighted Rocker

2 CIRCUIT
RR-Series (Non-Illuminated)
 1 On-None-Off
 2 (On)-None-Off
 3 On-None-(Off)
 4 On-None-On
 5 On-None-(On)
 6 On-Off-On
LRR-Series (Illuminated)
 1 On-None-Off

3 RATING¹
 1 10A, 125-250VAC; 12A 125 VAC
 1/4 HP 125-250 VAC
 3 6A, 28 VDC
 4 12A, 12 VDC
 5 12A, 6 VDC

4 TERMINATION
 2 .187 Tab

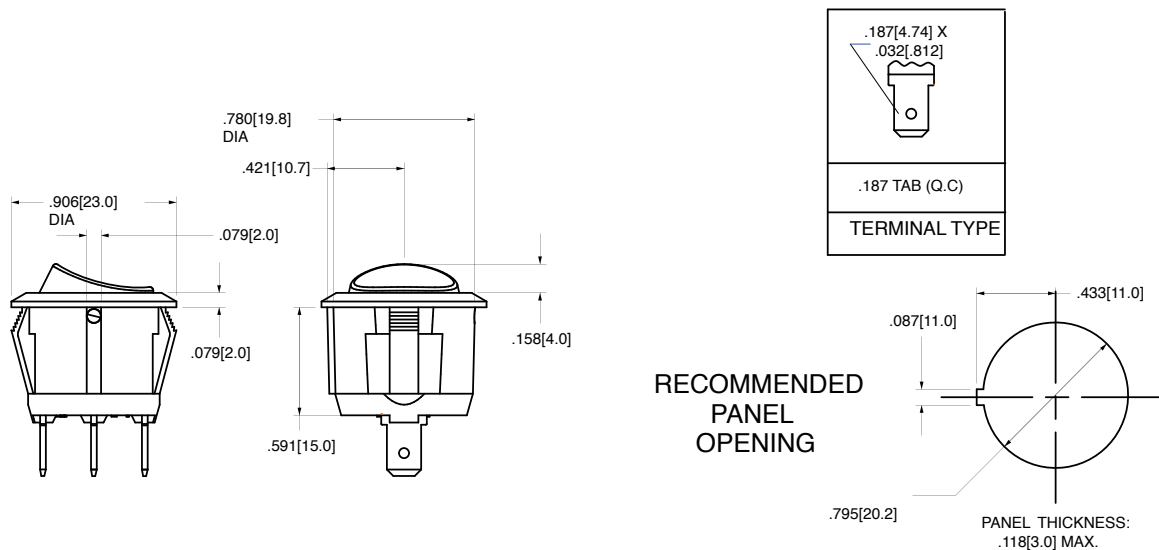
5 ACTUATOR COLOR²
RR-Series (Non-Illuminated) Solid Color
B Black
W White
R Red
LRR-Series (Illuminated) Transparent Color
 1 Amber
 2 Red
 3 Blue³
 4 Green³
 5 Clear

6 BASE COLOR²
B Black
W White

7 LAMP VOLTAGE
N None **C** 28V Incandescent
A 6V Incandescent **J** 125V Neon
B 12V Incandescent **K** 250V Neon

8 ROCKER FACE LEGEND
N No imprinting **F** O (on rocker end)
A On-Off (vertical) **G** II-O-I (vertical)
B On-Off (horizontal) **H** II-O-I (horizontal)
D I-O (horizontal) **J** Off-On (vertical)
E I-O (vertical) **K** Off-On (horizontal)

Notes:
 1 For additional rating requirements, consult factory.
 2 Custom colors are available, consult factory.
 3 Not recommended with Neon Lamps



*Manufacturer reserves the right to change product specification without prior notice.

Authorized North America Sales Representatives

Carling extensive sales representative network group is strategically located and ready to answer any questions. Find your local representative by clicking on a group name on the map below or by visiting www.carlingtech.com/findarep.



About Carling

Founded in 1920, Carling Technologies is a leading manufacturer of electrical and electronic switches and assemblies, circuit breakers, electronic controls, power distribution units, and multiplexed power distribution systems. With four ISO registered manufacturing facilities and technical sales offices worldwide, Carling Technologies Sales, Service and Engineering teams do much more than manufacture electrical components, they engineer powerful solutions! To learn more about Carling please visit www.carlingtech.com/company-profile.

Worldwide Headquarters

Carling Technologies, Inc.
60 Johnson Avenue • Plainville, CT 06062
Phone: (860) 793-9281 • Fax: (860) 793-9231
Email: sales@carlingtech.com • www.carlingtech.com

East Region Sales Office, CT • ersm@carlingtech.com
Midwest Region Sales Office, IL • mrsm@carlingtech.com
West Region Sales Office, CA • wrsm@carlingtech.com

Asia-Pacific Headquarters

Carling Technologies, Asia-Pacific Ltd.,
Kowloon, Hong Kong
Int + 852-2737-2277 • Fax: Int + 852-2736-9332
Email: sales@carlingtech.com.hk

Shenzhen, China • shenzhen@carlingtech.com
Shanghai, China • shanghai@carlingtech.com
Pune, India • india@carlingtech.com
Kaohsiung, Taiwan • taiwan@carlingtech.com
Yokohama, Japan • japan@carlingtech.com

Europe / Middle East / Africa Headquarters

Carling Technologies LTD
4 Airport Business Park, Exeter Airport,
Clyst Honiton, Exeter, Devon, EX5 2UL, UK
Int + 44 1392-364422 • Fax: Int + 44 1392-364477
Email: ltd.sales@carlingtech.com

GmbH, Germany • gmbH@carlingtech.com
SAS, France • sas@carlingtech.com

REV_SW_RR/LRR_11_2014



Carling Technologies™

Innovative Designs. Powerful Solutions.