

# Surface Mount Fuse Fast Acting

## Specification Status: Released

### Max Electrical Rating at 25°C

Max Voltage: 0.5A-2A 63V<sub>DC</sub>, 2.5A-5A 32V<sub>DC</sub>,  
6A-8A 24V<sub>DC</sub>

Max Interrupt Current at Rated Voltage:

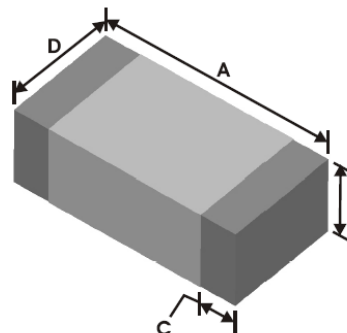
50A for 0.5A-3A

45A for 4A-8A

Termination Material: Silver, Nickel, Tin

Fuse Element: Silver

Body Material: Glass Ceramic



### Clear Time Characteristics

% of current rating	Clear time at 25°C
100%	4 hours min.
250%	5 seconds max.
400%	0.05 seconds max.

### Dimensions

	A		B		C		D	
	MIN	MAX	MIN	MAX	MIN	MAX	MIN	MAX
mm:	3.00	3.40	0.90	1.30	0.26	0.76	1.40	1.80
in:	0.118	0.134	0.035	0.051	0.010	0.030	0.055	0.071

Part Number	Current Rating (A)	Voltage Rating (VDC)	Nominal Cold DCR (Ω)*
1206SFF050F/63	0.5	63	0.730
1206SFF075F/63	0.75	63	0.513
1206SFF100F/63	1.0	63	0.220
1206SFF150F/63	1.5	63	0.120
1206SFF175F/63	1.75	63	0.100
1206SFF200F/63	2.0	63	0.050
1206SFF250F/32	2.5	32	0.035
1206SFF300F/32	3.0	32	0.031
1206SFF400F/32	4.0	32	0.022
1206SFF500F/32	5.0	32	0.015
1206SFF600F/24	6.0	24	0.013
1206SFF700F/24	7.0	24	0.011
1206SFF800F/24	8.0	24	0.008

\* Measured at 10% of rated current and 25°C

Agency Recognition: UL E197536  
Precedence: This specification takes precedence over documents referenced herein.  
Effectivity: Reference documents shall be the issue in effect on the date of invitation for bid.

### Materials Information

ROHS Compliant

ELV Compliant

Halogen Free\*

Directive 2002/95/EC  
Compliant

Directive 2000/53/EC  
Compliant



\* Halogen Free refers to: Br≤900ppm, Cl≤900ppm, Br+Cl≤1500ppm



# Surface Mount Fuse Fast Acting

## Nominal $I^2 t$ vs $t$ Curves

