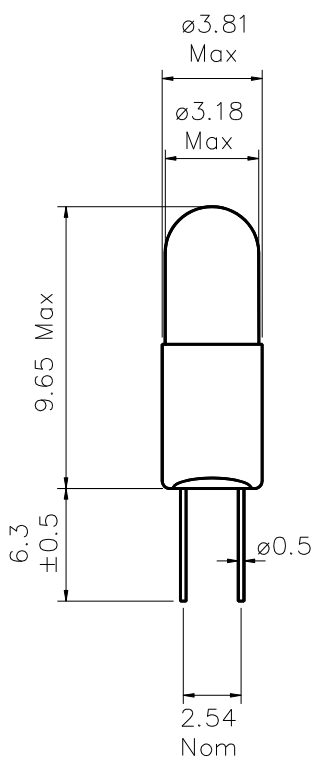


Part Number: 01143800

Type	Size	Rating	Description
Incandescent	T3	6V 115mA	T-1 Bi-Pin Lamp



Dimensions in millimetres

TEST VOLTS	CURRENT (mA)			LIGHT OUTPUT (Lm)			LIFE Hours
	Min.	Nom.	Max.	Min.	Nom.	Max.	
6	86	115	144	0.11	0.15	0.19	50,000

Notes:

- 1 **Base Type** Bi-Pin Black Nylon with gold plated pins
- 2 **Filament Shape** C-2R
- 3 **Lamp Marking** 6V
- 4 **Environmental** RoHS & REACH SVHC compliant