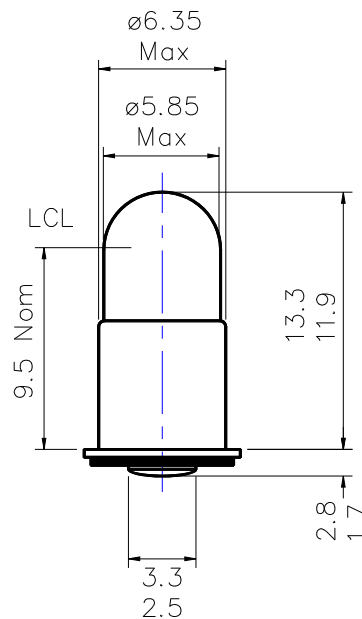


Part Number: 387

Type	Size	Rating	Description
Incandescent	T6	28V 40mA	T-1¾ Midget Flange Lamp



Dimensions in millimetres

TEST VOLTS	CURRENT (mA)			LIGHT OUTPUT (Lm)			LIFE Hours
	Min.	Nom.	Max.	Min.	Nom.	Max.	
28	36	40	44	2.8	3.8	4.8	7,000

Notes:

- 1 **Base Type** Nickel plated SX6s base to BS EN 60061-1
- 2 **Filament Shape** C-2F
- 3 **Lamp Marking** CML387 28V 40mA engraved or durable ink stamped on base shell
- 4 **Environmental** RoHS & REACH SVHC compliant