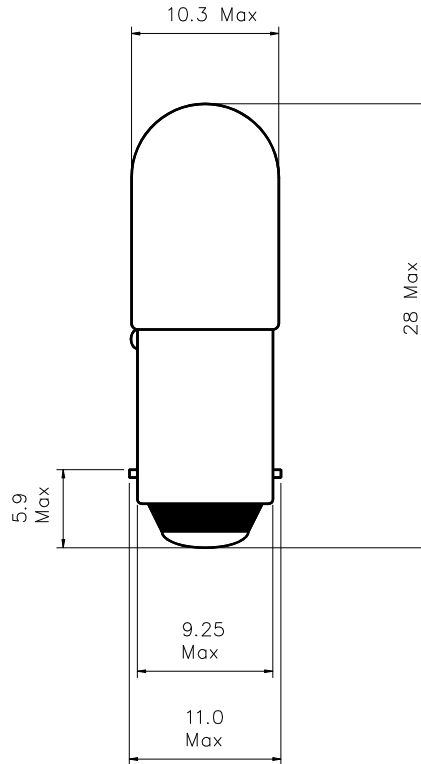


Part Number: **W643**

Type	Size	Rating	Description
Incandescent	T10	12V 2.2W	T-3¼ Miniature Bayonet Lamp



Dimensions in millimetres

TEST VOLTS	CURRENT (mA)			LIGHT OUTPUT (Lm)			LIFE Hours
	Min.	Nom.	Max.	Min.	Nom.	Max.	
12	177	196	216	12.8	16.0	19.2	3,000

Notes:

- 1 **Base Type** BA9s/13 Nickel plated brass in accordance with BS EN 60061-1
- 2 **Filament Shape** C-2V
- 3 **Light centre Length** 16mm nominal
- 4 **Lamp Marking** CML 12V 2.2W
- 5 **Bead colour** White or clear
- 6 **Environmental** RoHS & REACH SVHC compliant