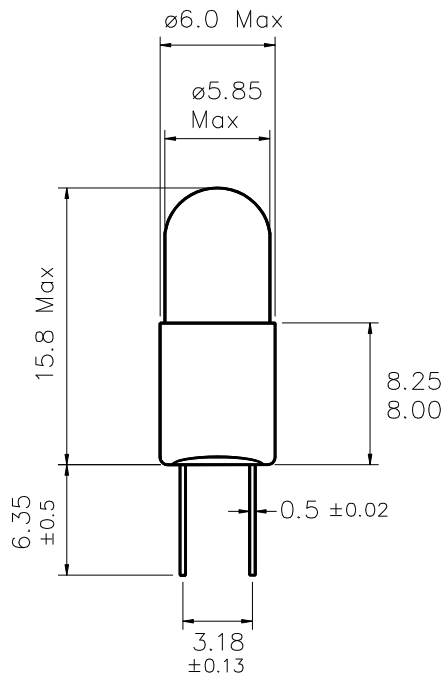


PRODUCT DATA SHEET

Part Number: 7382

Type	Size	Rating	Description
Incandescent	T6	14V 80mA	T-1¾ Bi-pin Lamp



Dimensions in millimetres

TEST VOLTS	CURRENT (mA)			LIGHT OUTPUT (Lm)			LIFE Hours
	Min.	Nom.	Max.	Min.	Nom.	Max.	
14	72	80	88	2.8	3.8	4.8	15,000

Notes:

- 1 **Base Type** White nylon
- 2 **Filament Shape** C-2F
- 3 **Lamp Marking** 7382 14V 80mA
- 4 **Environmental** RoHS & REACH SVHC compliant