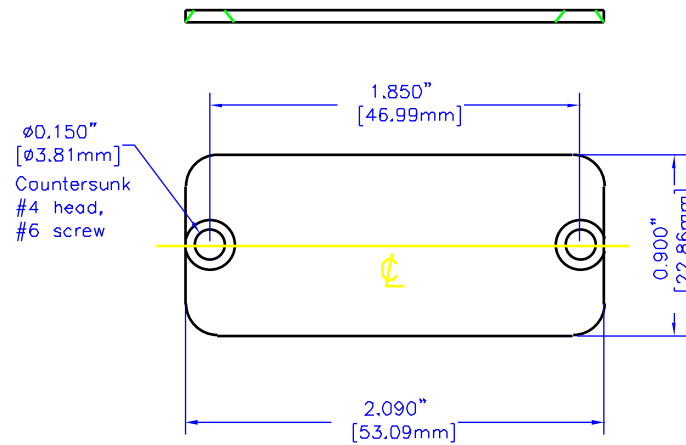
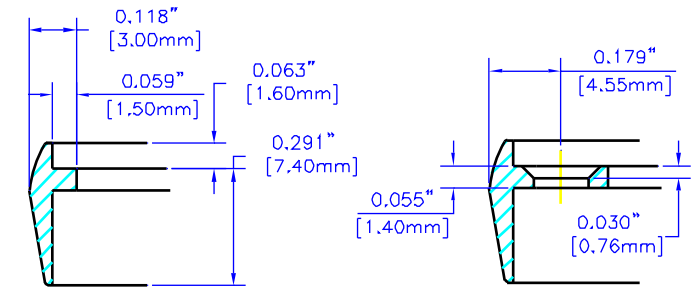


NOTES

Constructed from extruded Al with a minimum thickness of 0.06"(1,5mm)
 Available in clear or Black anodized finish
 Version 1 includes two Al end panels, and two Black plastic bezels.
 Hardware and self-adhesive rubber feet included.

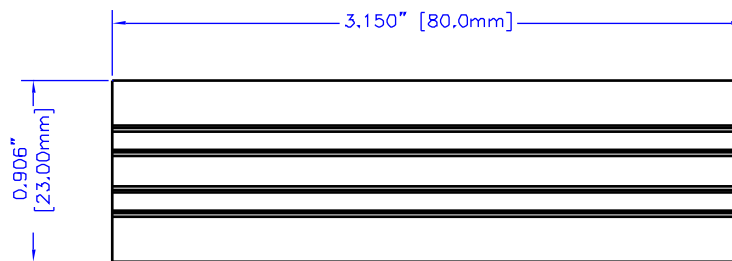
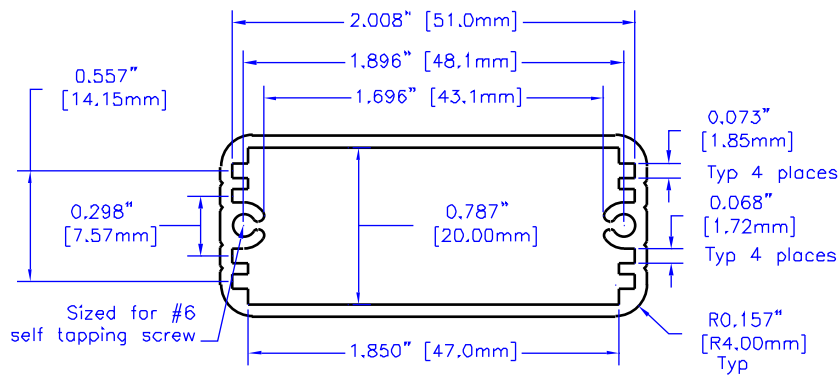


PANELS

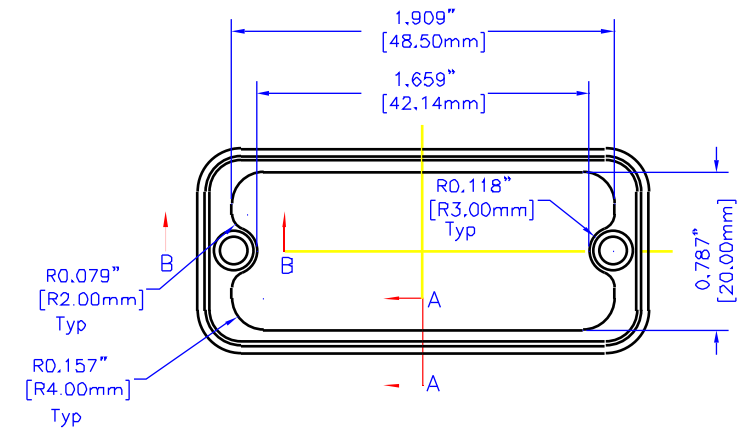


SECTION A-A
SCALE 2:1

SECTION B-B
SCALE 2:1



EXTRUSION



BEZEL

For the best fit print on legal size paper.

THIS DRAWING IS PROPRIETARY INFORMATION OF HAMMOND MFG.CO.LTD. NOT TO BE USED WITHOUT EXPRESSED WRITTEN PERMISSION OF HAMMOND MFG.CO.LTD.

Rev	ECN	Description	Date	By
	N/A	ADDED BEZELS AND PANELS TO DWG	02 05 02	MJM
	N/A	RELEASE	01 15 02	MJM

Unless otherwise specified dimensions are in inches
 Tolerances are:
 .X ± .1
 .XX ± .04
 .XXX ± .020
 .XXXX ± .0050
 Holes ± .0050
 Angles ± .5°

Own	M. MERCER
Date	01 15 02
Chk	---
Mat'l	Extruded Aluminum
Sheet	1 of 2

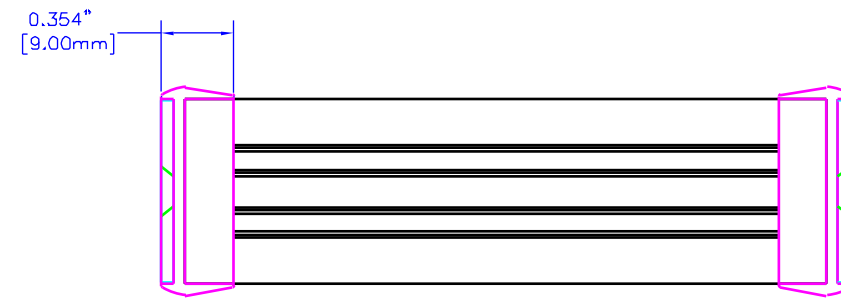
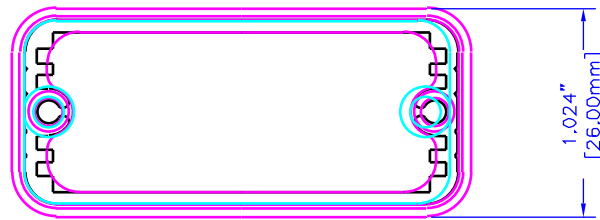
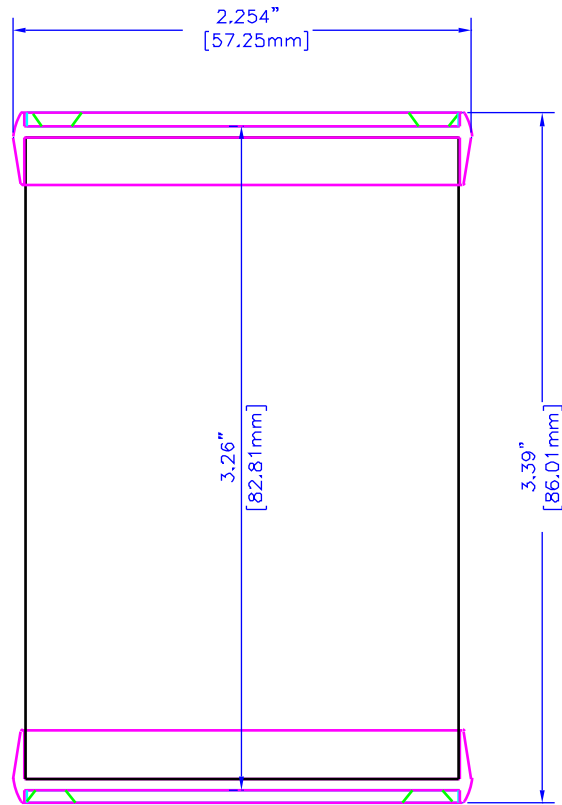
HAMMOND MANUFACTURING CO. LTD.
 Electronics Group, Waterloo, Ont. - Cheeklowaga, NY

HAMMOND 1455 SERIES
 EXTRUDED ALUMINUM

Part# 1455C801 Dwg: 1455C801B

NOTES

Constructed from extruded Al with a minimum thickness of 0.06" (1.5mm)
 Available in clear or Black anodized finish
 Version 1 includes two Al end panels, and two Black plastic bezels.
 Hardware and self-adhesive rubber feet included.



For the best fit print on legal size paper.

THIS DRAWING IS PROPRIETARY INFORMATION OF HAMMOND MFG.CO.LTD. NOT TO BE USED WITHOUT EXPRESSED WRITTEN PERMISSION OF HAMMOND MFG.CO.LTD.

△	N/A	ADDED BEZELS AND PANELS TO DWG	----	02 05 02	MJM
△	N/A	RELEASE	----	01 16 02	MJM
Rev	ECN	Description		Date	By

Unless otherwise specified dimensions are in inches
 Tolerances are:
 x ± .1
 xx ± .04
 xxx ± .020
 xxxx ± .0050
 Holes ± .0050
 Angles ± .5°

Own	M, MERCER
Date	01 16 02
Chk	---
Mat'l	Extruded Aluminum
Sheet	2 of 2

HAMMOND MANUFACTURING CO., LTD.
 Electronics Group, Waterloo, Ont. - Cheektowago, NY

HAMMOND 1455 SERIES
EXTRUDED ALUMINUM

Part#: 1455C801 Dwg: 1455C801B