

PLEASE CHECK WWW.MOLEX.COM FOR LATEST PART INFORMATION

Part Number: [19002-0029](#)
Status: **Active**
Overview: [Quick-Disconnect Terminals](#)
Description: Avikrimp™ Fully Insulated Quick Disconnect, Female, for 14-16 AWG Wire, Mylar Tape

Documents:

[Drawing \(PDF\)](#) [Product Specification PS-19902-015 \(PDF\)](#)
[Product Specification PS-19902-011 \(PDF\)](#) [RoHS Certificate of Compliance \(PDF\)](#)
[Product Specification PS-19902-014 \(PDF\)](#)

Agency Certification

CSA LR18689
 UL E79133

General

Product Family Quick Disconnects
 Series [19002](#)
 Crimp Quality Equipment Yes
 Insulated Fully
 Overview [Quick-Disconnect Terminals](#)
 Product Name Avikrimp™
 Type Quick Disconnect
 UPC 800753027404

Physical

Barrel Type Closed
 Color - Resin Blue
 Flammability 94V-2
 Gender Female
 Glow-Wire Compliant Yes
 Insulation Nylon (PA)
 Lock to Mating Part None
 Material - Metal Brass
 Material - Plating Mating Tin
 Material - Plating Termination Tin
 Net Weight 0.983g
 Orientation Straight
 Packaging Type Adhesive Tape on Reel
 Polarized to Mating Part No
 Tab Thickness 0.51mm
 Tab Width 4.75mm
 Temperature Range - Operating -65°C to +105°C
 Wire Insulation Diameter 3.94mm max.
 Wire Size AWG 14, 16
 Wire Size mm² 1.30 - 2.00

Electrical

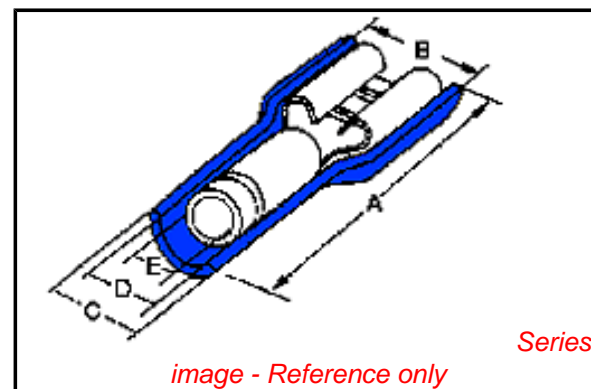
Voltage - Maximum 300V

Material Info

Old Part Number BB-5269T

Reference - Drawing Numbers

Product Specification PS-19902-011, PS-19902-014, PS-19902-015
 Sales Drawing SD-19002-004



EU RoHS

ELV and RoHS Compliant

REACH SVHC

Not Reviewed

Low-Halogen Status

Low-Halogen

China RoHS



Need more information on product environmental compliance?

Email productcompliance@molex.com
 For a multiple part number RoHS Certificate of Compliance, [click here](#)

Please visit the [Contact Us](#) section for any non-product compliance questions.

Search Parts in this Series

19002Series

Use With

19001-0008 , 19001-0009

Application Tooling | FAQ

Tooling specifications and manuals are found by selecting the products below. Crimp Height Specifications are then contained in the Application Tooling Specification document.

Global

Description	Product #
Mini-Mac™ Applicator	0638850200
Crimp Dies for MTA-100 Tape Applicator used in 3BF Press, MTA-105 Tape Applicator used in TM-2000™ Press, and ATP-301 Air Crimping Press for	0192880130

This document was generated on 01/14/2015

PLEASE CHECK WWW.MOLEX.COM FOR LATEST PART INFORMATION